

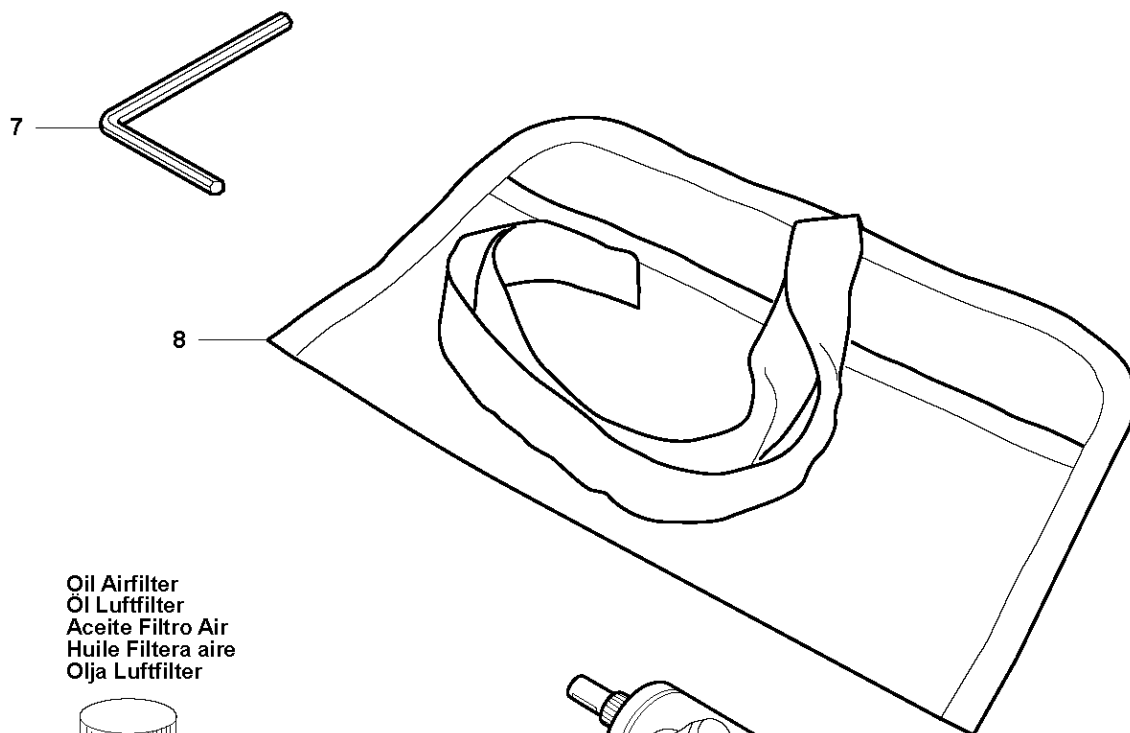
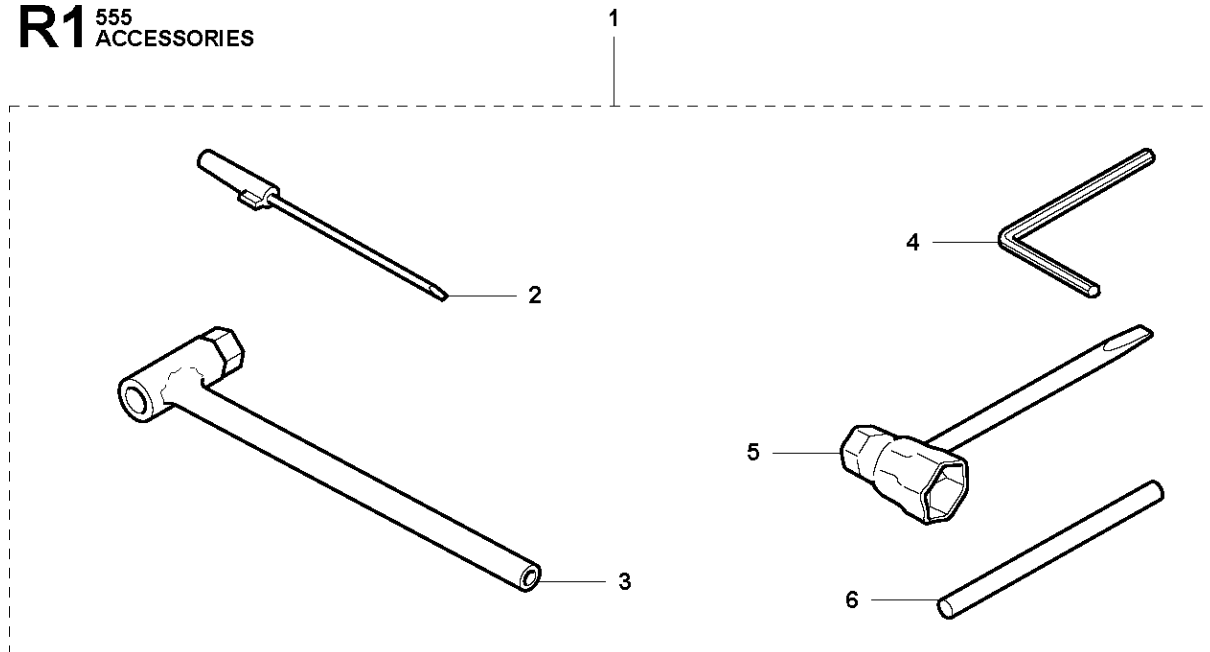


SPARE PARTS LIST

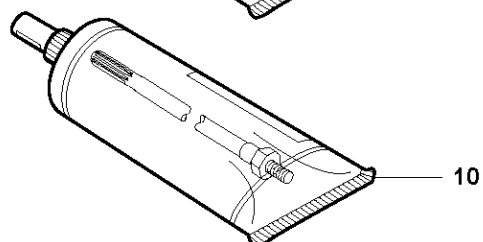
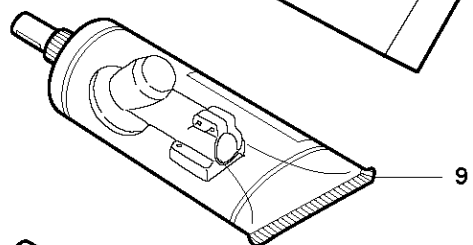
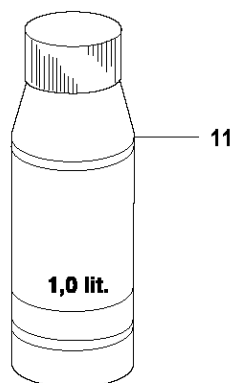
BRUSHCUTTERS/CLEARING SAWS

555 FXT

R1 ⁵⁵⁵
ACCESSORIES



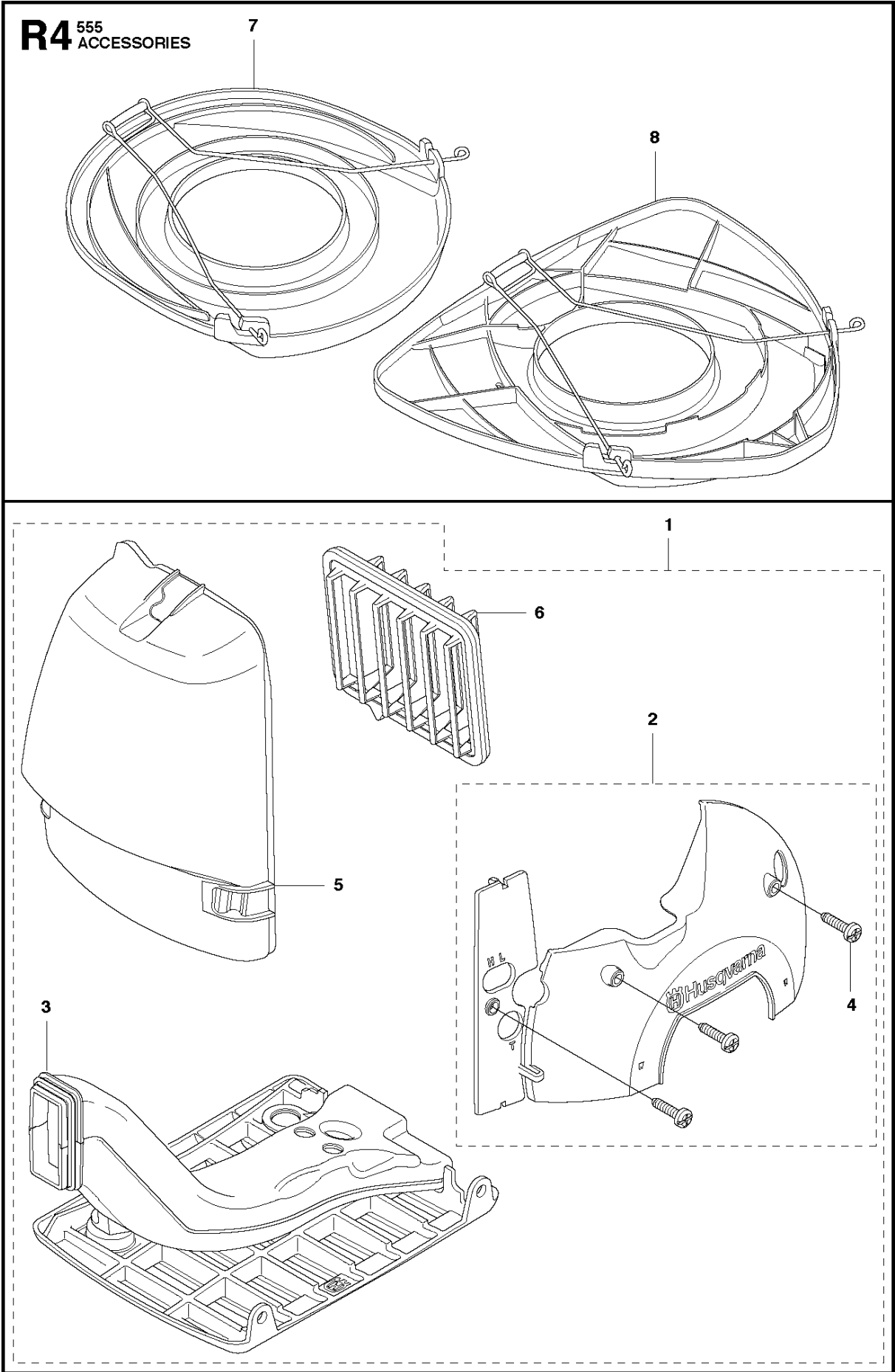
Oil Airfilter
Öl Luftfilter
Aceite Filtro Air
Huile Filtera aire
Olja Luftfilter



ACCESSORIES

555 FXT

| Ref | Part No | Description | Remark | QTY | KIT |
|-----|--------------|--------------------|------------|-----|-----|
| 1 | 502 21 60-15 | ACCESSORY BAG | Pos. 2-6 | 1 | |
| 2 | 501 60 02-03 | SCREWDRIVER | | 1 | 1 |
| 3 | 502 11 46-03 | KEY | | 1 | 1 |
| 4 | 502 21 58-01 | WRENCH | 4mm | 1 | 1 |
| 5 | 501 69 17-01 | COMBINATION WRENCH | | 1 | 1 |
| 6 | 502 28 59-01 | STOP | | 1 | 1 |
| 7 | 503 55 86-05 | SPANNER | 5mm | 1 | |
| 8 | 501 19 22-01 | TOOL | | 1 | |
| 9 | 503 97 64-01 | GREASE | | 1 | |
| 10 | 503 80 17-01 | GREASE | | 1 | |
| 11 | 531 00 92-48 | FILTER OIL | Filter oil | 1 | |

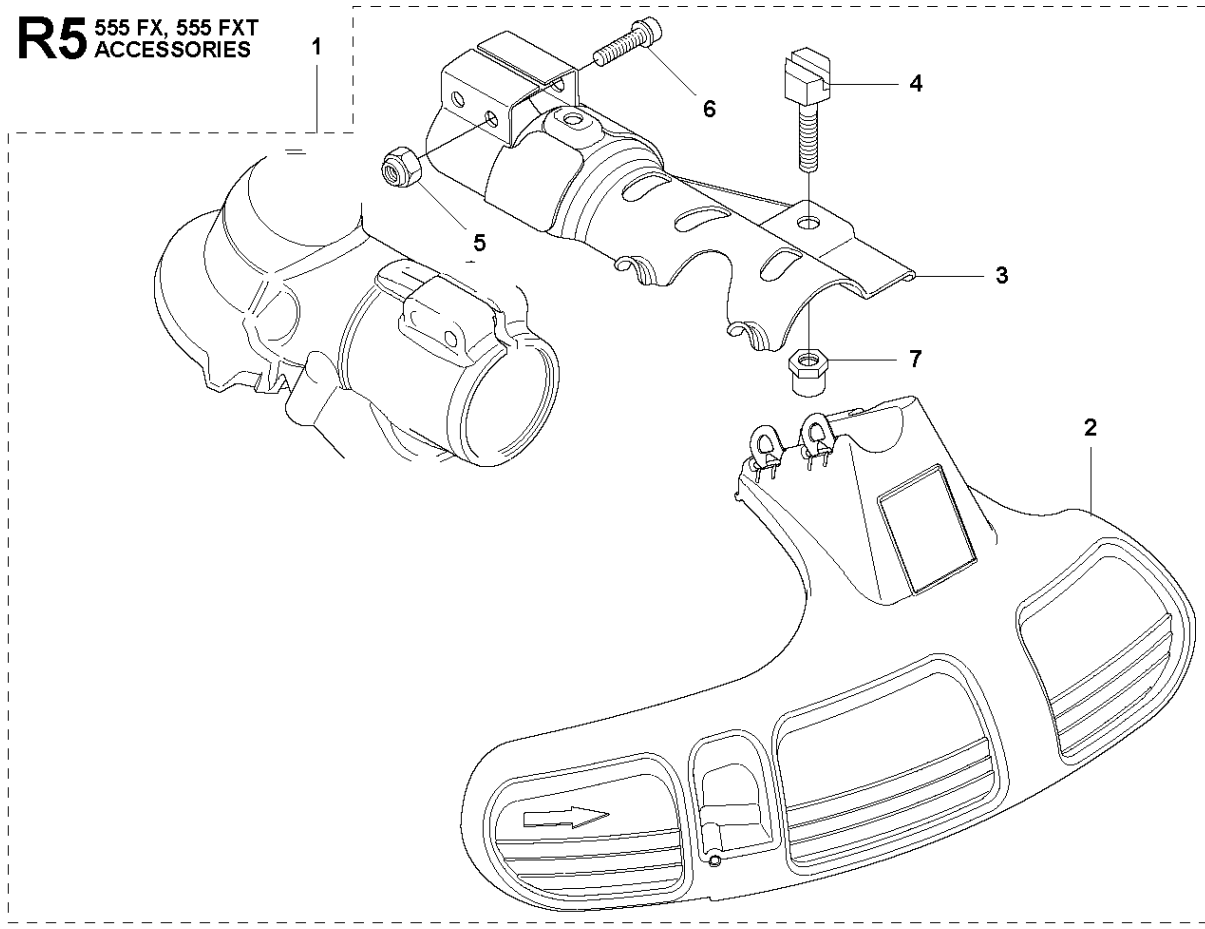


ACCESSORIES

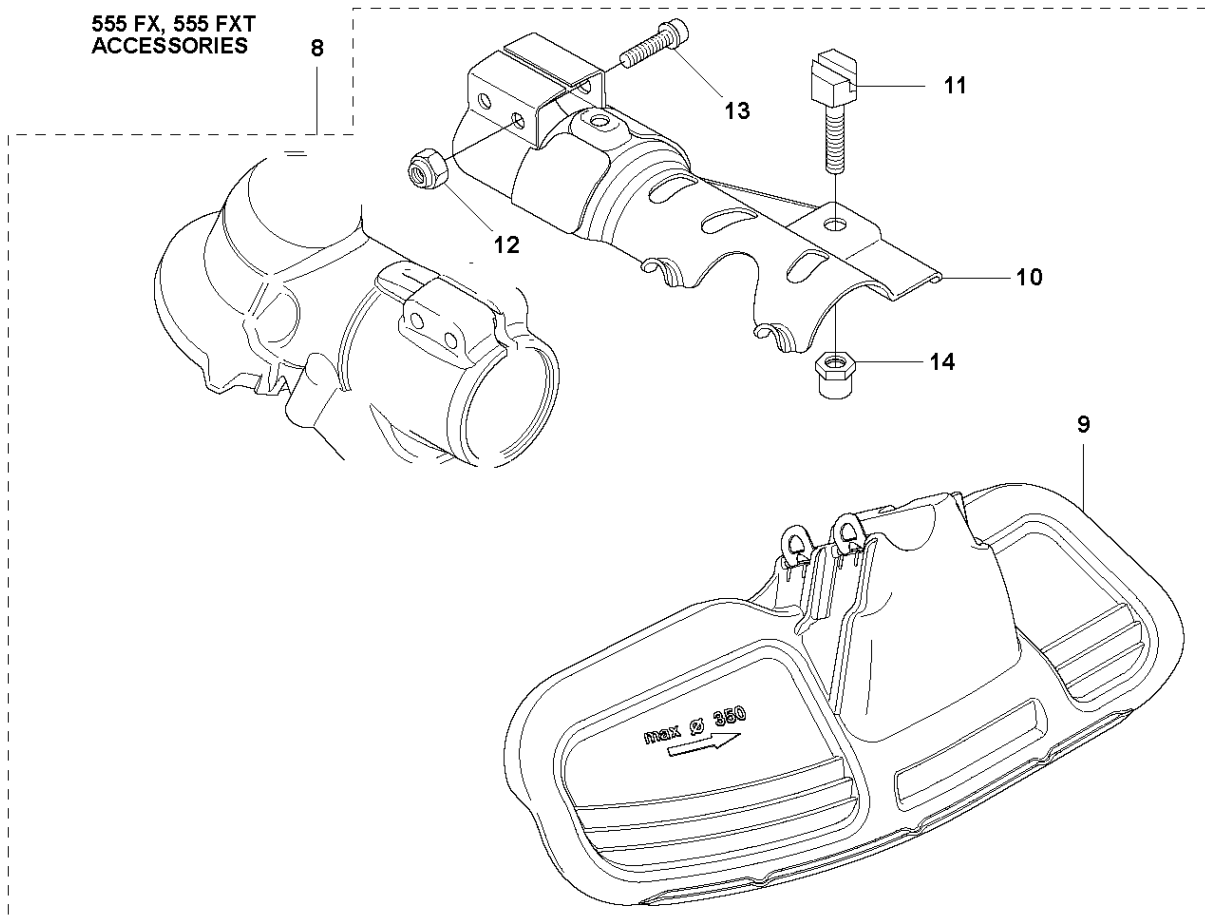
555 FXT

| Ref | Part No | Description | Remark | QTY | KIT |
|-----|--------------|-----------------|--------|-----|-----|
| 1 | 502 43 58-01 | WINTER KIT | | 1 | |
| 2 | 544 95 28-02 | WINTER COVER | | 1 | 1 |
| 3 | 537 35 10-01 | AIR DUCT | | 1 | 1 |
| 4 | 503 21 07-16 | SCREW IHSCT | | 1 | |
| 5 | 544 87 02-01 | COVER | | 1 | 1 |
| 6 | 537 41 08-01 | FILTER | | 1 | 1 |
| 7 | 537 31 29-01 | TRANSPORT GUARD | | 1 | |
| 8 | 544 35 91-01 | TRANSPORT GUARD | | 1 | |

R5 555 FX, 555 FXT
ACCESSORIES



555 FX, 555 FXT
ACCESSORIES

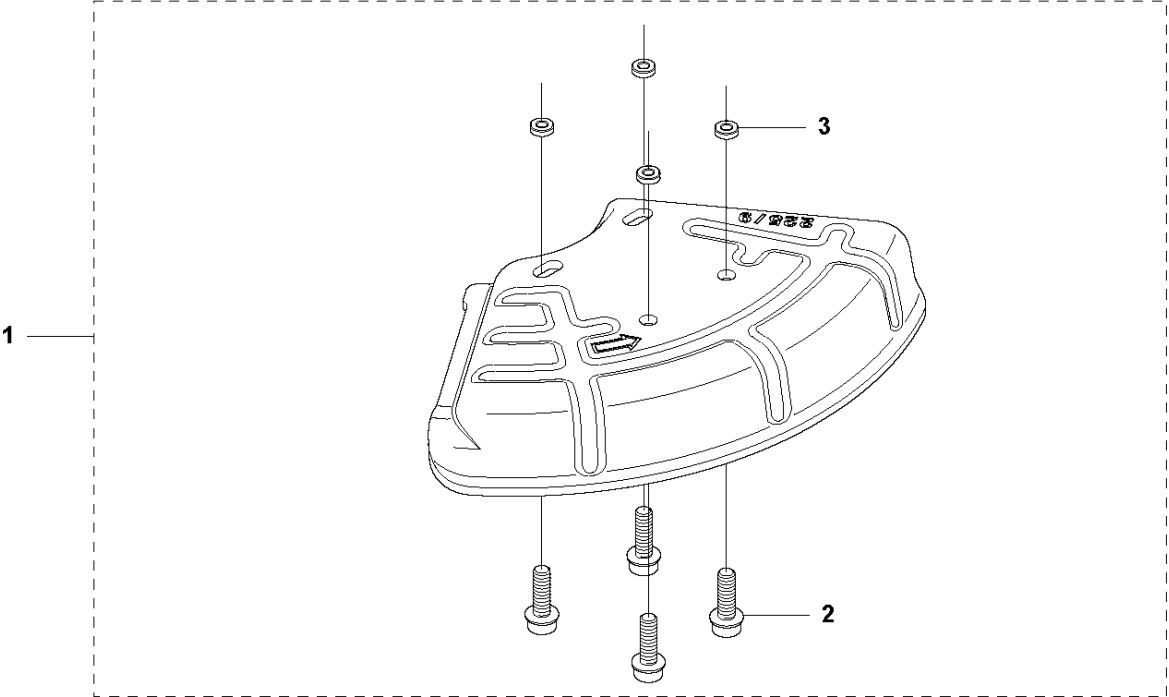


ACCESSORIES

555 FXT

| Ref | Part No | Description | Remark | QTY | KIT |
|-----|--------------|-------------------|-----------------|-----|-----|
| 1 | 502 46 50-01 | TRIMMER GUARD | Incl. Pos. 2-7 | 1 | |
| 2 | 544 10 74-02 | TRIMMER GUARD | | 1 | 1 |
| 3 | 544 89 57-01 | ATTACHMENT PLATE | | 1 | 1 |
| 4 | 537 18 95-01 | SCREW | | 1 | 1 |
| 5 | 732 21 16-01 | NUT | | 2 | 1 |
| 6 | 725 53 76-55 | SCREW IHSCM | | 2 | 1 |
| 7 | 505 43 67-01 | SPACING SLEEVE | | 1 | 1 |
| 8 | 502 46 49-01 | GRASS BLADE GUARD | Incl. Pos. 9-14 | 1 | |
| 9 | 544 16 03-01 | TRIMMER GUARD | | 1 | 8 |
| 10 | 544 89 57-01 | ATTACHMENT PLATE | | 1 | 8 |
| 11 | 537 18 95-01 | SCREW | | 1 | 8 |
| 12 | 732 21 16-01 | NUT | | 2 | 8 |
| 13 | 725 53 76-55 | SCREW IHSCM | | 2 | 8 |
| 14 | 505 43 67-01 | SPACING SLEEVE | | 1 | 8 |

R3 555
ACCESSORIES

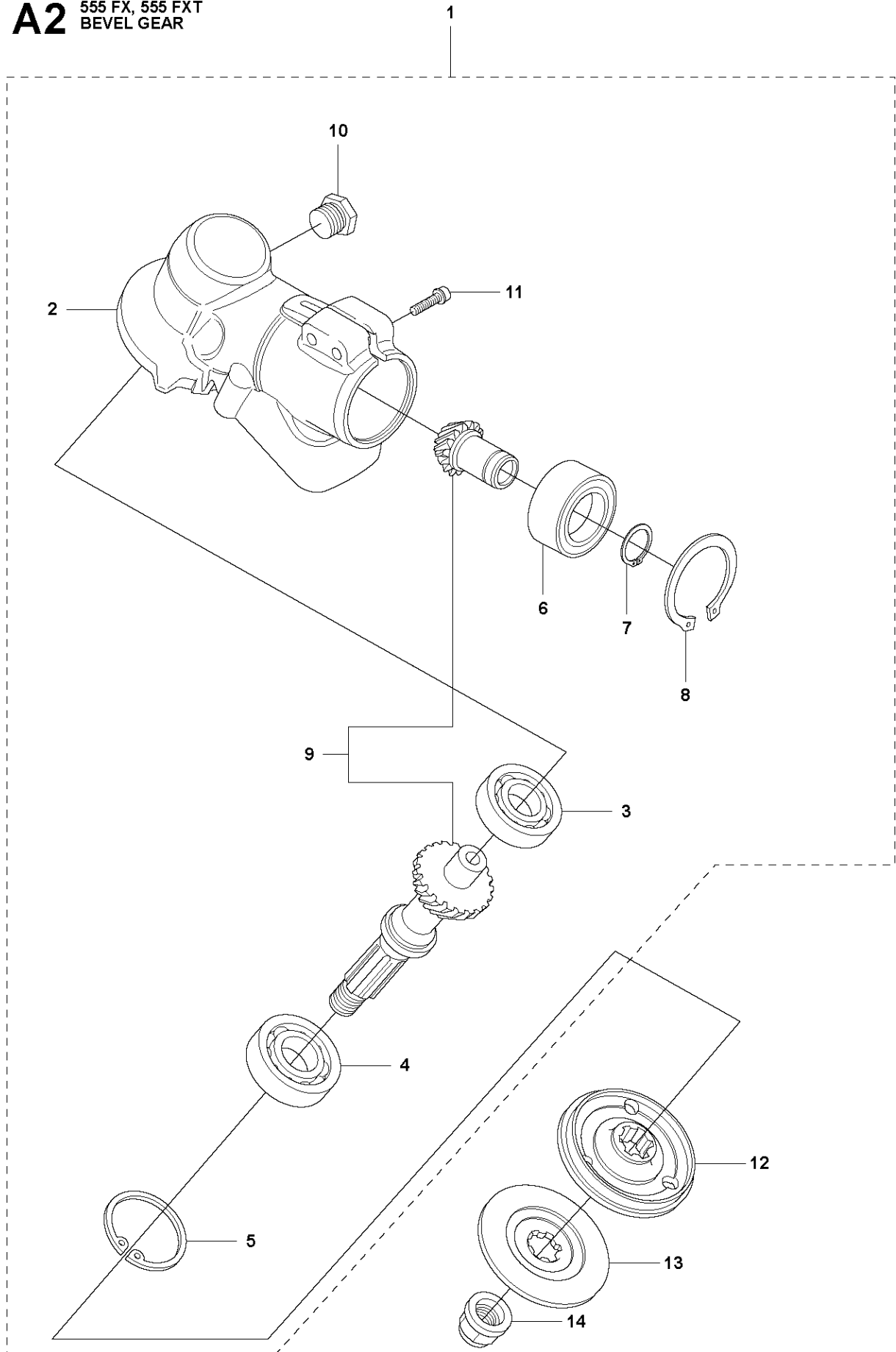


ACCESSORIES

555 FXT

| Ref | Part No | Description | Remark | QTY | KIT |
|-----|--------------|-----------------|------------------------|-----|-----|
| 1 | 574 50 67-02 | SAW BLADE GUARD | FX, FXT Incl. Pos. 2-3 | 1 | |
| 2 | 503 20 03-16 | SCREW IHSCFM | | 4 | 1 |
| 3 | 574 03 95-01 | LOCKING NUT | | 4 | 1 |

A2 555 FX, 555 FXT
BEVEL GEAR



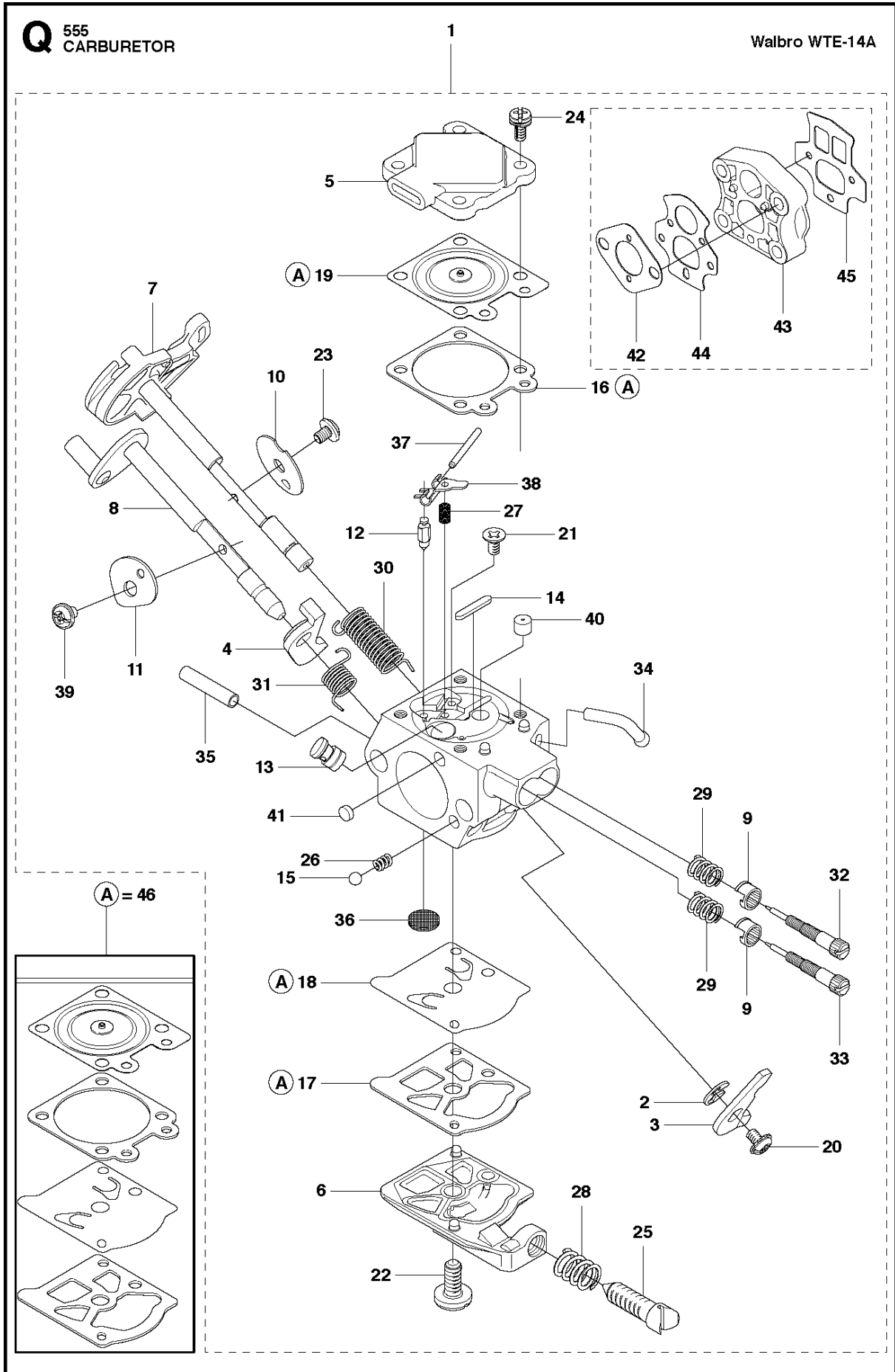
BEVEL GEAR

555 FXT

| Ref | Part No | Description | Remark | QTY | KIT |
|-----|--------------|----------------|-----------------|-----|-----|
| 1 | 537 42 82-04 | BEVEL GEAR | Incl. Pos. 2-11 | 1 | |
| 2 | 537 42 83-01 | GEAR HOUSING | | 1 | 1 |
| 3 | 738 21 01-10 | BALL BEARING | | 1 | 1 |
| 4 | 503 25 25-01 | BALL BEARING | | 1 | 1 |
| 5 | 735 31 33-10 | CIRCLIP | | 1 | 1 |
| 6 | 503 25 18-01 | BEARING | | 1 | 1 |
| 7 | 735 31 17-00 | CIRCLIP | | 1 | 1 |
| 8 | 735 31 31-10 | CIRCLIP | | 1 | 1 |
| 9 | 502 43 47-01 | GEAR WHEEL KIT | Kit | 1 | 1 |
| 10 | 503 20 15-01 | SCREW IHHM | | 1 | 1 |
| 11 | 725 53 72-65 | SCREW IHSCM | | 2 | 1 |
| 12 | 544 19 78-01 | DRIVER | | 1 | |
| 13 | 544 21 78-01 | SUPPORT FLANGE | | 1 | |
| 14 | 503 22 73-01 | NUT | | 1 | |

Q 555
CARBURETOR

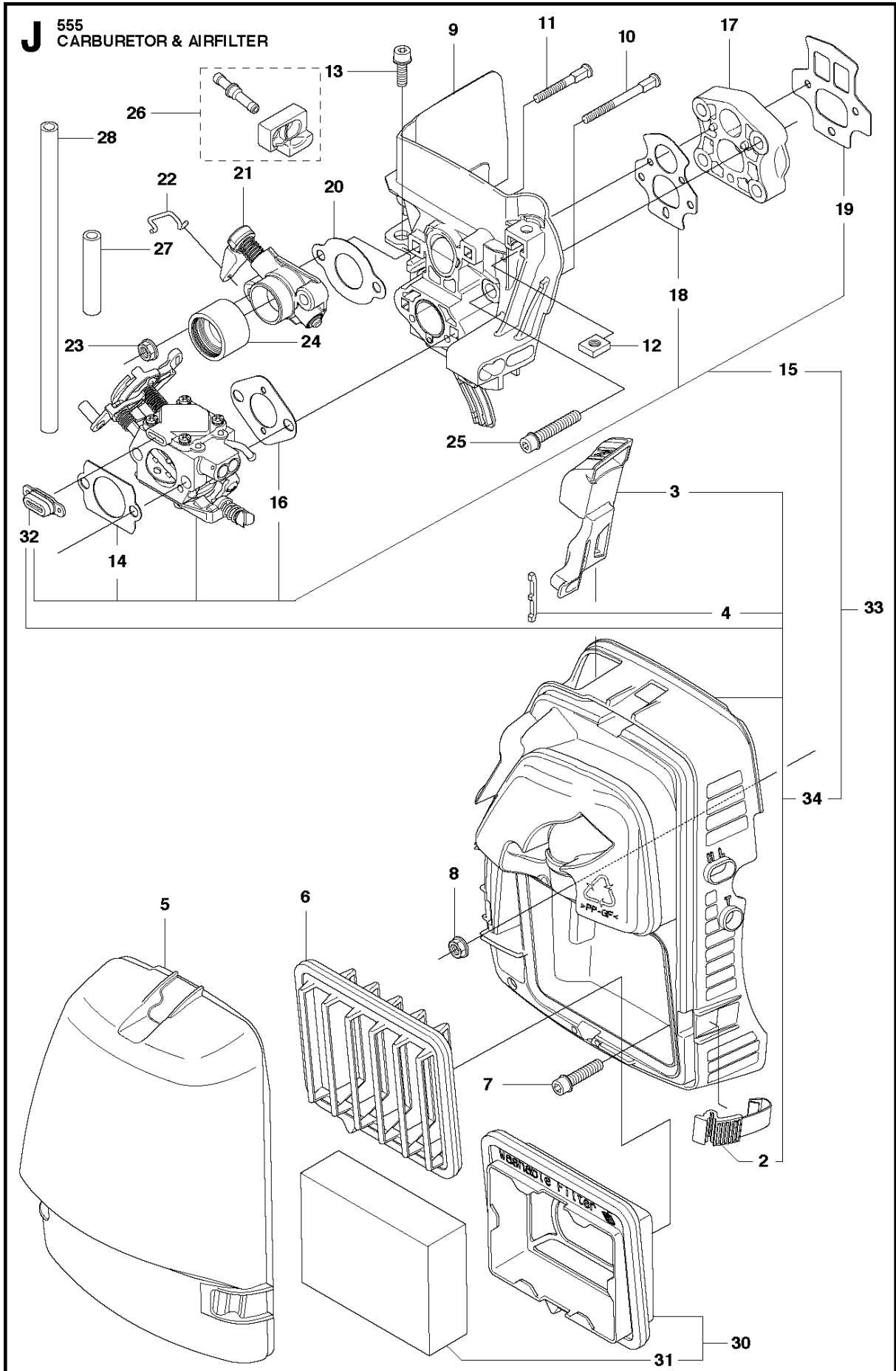
Walbro WTE-14A



CARBURETOR

555 FXT

| Ref | Part No | Description | Remark | QTY | KIT |
|-----|--------------|--------------------|---|-----|-------|
| 1 | 586 10 88-01 | CARBURETTOR | s/n from 20130600067 - | 1 | |
| 1 | 586 15 40-01 | CARBURETTOR KIT | s/n up to - 20130600067 | 1 | |
| 2 | 505 31 67-36 | RING | | 1 | 1 |
| 3 | 544 97 07-01 | LEVER | | 1 | 1 |
| 4 | 544 17 77-01 | LEVER | | 1 | 1 |
| 5 | 505 31 67-54 | LOCK STYRMEMBRAN | | 1 | 1 |
| 6 | 503 58 43-01 | COVER | | 1 | 1 |
| 7 | 544 04 36-01 | SHAFT | | 1 | 1 |
| 8 | 544 04 40-01 | SHAFT | | 1 | 1 |
| 9 | 544 97 08-01 | LIMITER CAP | | 2 | 1 |
| 10 | 505 42 71-01 | VALVE | | 1 | 1 |
| 11 | 537 10 96-01 | VALVE | | 1 | 1 |
| 12 | 503 56 34-01 | INLET | | 1 | 1 |
| 13 | 502 84 68-01 | NOZZLE ASSY | | 1 | 1 |
| 14 | 502 84 69-01 | PLUG | | 1 | 1 |
| 15 | 501 46 85-01 | BALL | | 1 | 1 |
| 16 | 504 35 09-06 | GASKET | | 1 | 1, 42 |
| 17 | 504 13 09-06 | GASKET | | 1 | 1, 42 |
| 18 | 577 01 66-01 | DIAPHRAGM | | 1 | 1, 42 |
| 19 | 580 80 42-01 | DIAPHRAGM | | 1 | 1, 42 |
| 20 | 501 46 87-01 | SCREW | | 1 | 1 |
| 21 | 502 84 71-01 | SCREW | | 1 | 1 |
| 22 | 501 46 69-01 | SCREW | | 1 | 1 |
| 23 | 537 00 34-01 | SCREW | | 1 | 1 |
| 24 | 537 00 31-01 | SCREW | | 4 | 1 |
| 25 | 537 40 82-01 | SCREW | | 1 | 1 |
| 26 | 501 46 84-01 | SPRING | | 1 | 1 |
| 27 | 501 79 59-01 | SPRING | | 1 | 1 |
| 28 | 501 66 78-01 | SPRING | | 1 | 1 |
| 29 | 544 97 10-01 | SPRING | | 2 | 1 |
| 30 | 544 17 76-01 | SPRING | | 1 | 1 |
| 31 | 544 97 11-01 | SPRING | | 1 | 1 |
| 32 | 502 84 72-01 | NEEDLE | | 1 | 1 |
| 33 | 502 84 73-01 | NEEDLE | | 1 | 1 |
| 34 | 544 97 15-01 | FITTING | | 1 | 1 |
| 35 | 544 97 16-01 | FITTING | | 1 | 1 |
| 36 | 501 66 61-01 | SCREEN | | 1 | 1 |
| 37 | 505 52 01-25 | PIN-METERING LEVER | | 1 | 1 |
| 38 | 502 84 74-01 | LEVER | | 1 | 1 |
| 39 | 544 11 15-01 | SCREW | | 1 | 1 |
| 40 | 505 42 69-01 | JET | | 1 | 1 |
| 41 | 503 57 43-01 | PLUG-WELCH | | 1 | 1 |
| 42 | TBD | TBD | Delivered with 510 24 20-01. Separate spare part, see page J. | 1 | 1 |
| 43 | TBD | TBD | Delivered with 510 24 20-01. Separate spare part, see page J. | 1 | 1 |
| 44 | TBD | TBD | Delivered with 510 24 20-01. Separate spare part, see page J. | 1 | 1 |
| 45 | TBD | TBD | Delivered with 510 24 20-01. Separate spare part, see page J. | 1 | 1 |
| 46 | 515 99 96-01 | KIT | | 1 | |

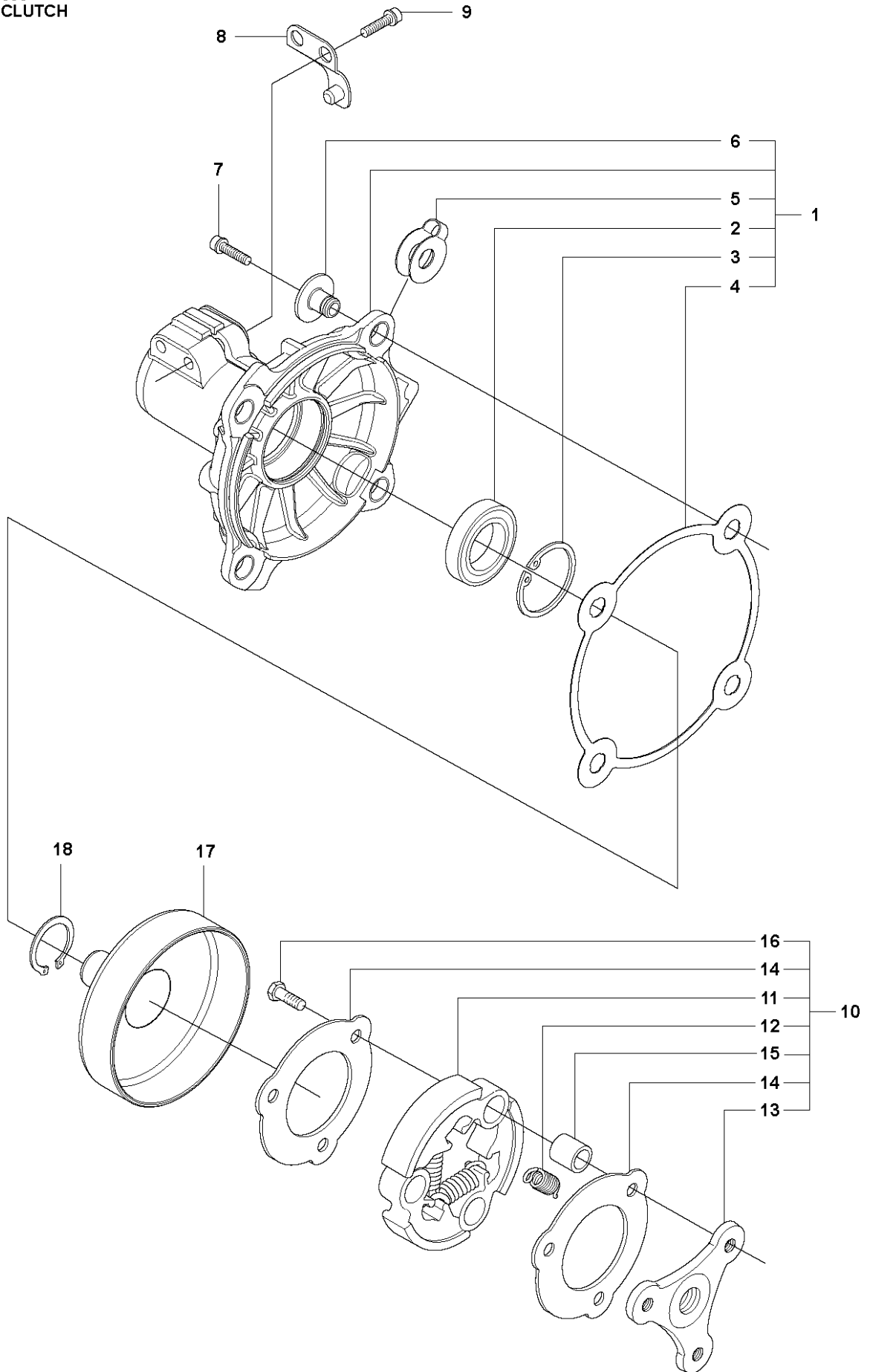


CARBURETOR & AIR FILTER

555 FXT

| Ref | Part No | Description | Remark | QTY | KIT |
|-----|--------------|--------------------|-------------------------|-----|--------|
| 2 | 503 74 01-02 | SNAP | | 3 | 34 |
| 3 | 537 35 26-01 | CHOKE CONTROL | | 1 | 34 |
| 4 | 537 38 78-01 | GROMMET | | 1 | 34 |
| 5 | 537 41 01-01 | FILTER COVER | | 1 | |
| 6 | 537 41 08-01 | FILTER | Nylon 80/32 Winter | 1 | |
| 6 | 537 41 08-02 | FILTER | Nylon 44/27 | 1 | |
| 7 | 503 20 07-76 | SCREW IHSCFM | | 2 | |
| 8 | 731 71 14-51 | HEXAGON NUT FLANGE | | 2 | |
| 9 | 537 35 04-01 | INSULATION WALL | | 1 | |
| 10 | 503 98 81-01 | SCREW | | 2 | |
| 11 | 503 98 81-04 | SCREW | | 2 | |
| 12 | 503 22 65-04 | SQUARE NUT | | 1 | |
| 13 | 503 20 07-76 | SCREW IHSCFM | | 1 | |
| 14 | 544 42 99-01 | GASKET | | 1 | 15 |
| 15 | 586 10 88-01 | CARBURETTOR | s/n from 20130600067 - | 1 | |
| 16 | 510 04 37-01 | GASKET | | 1 | 15 |
| 17 | 544 04 33-01 | MANIFOLD | | 1 | |
| 18 | 544 04 30-01 | GASKET | | 1 | 15 |
| 19 | 544 04 31-01 | GASKET | | 1 | 15 |
| 20 | 544 16 08-01 | GASKET | | 1 | |
| 21 | 544 21 40-01 | VALVE HOUSING | | 1 | |
| 22 | 544 84 78-01 | LINK | | 1 | |
| 23 | 731 71 14-51 | HEXAGON NUT FLANGE | | 2 | |
| 24 | 537 41 05-01 | INLET PIPE | | 1 | |
| 25 | 503 20 07-80 | SCREW IHSCFM | | 4 | |
| 26 | 544 16 15-01 | GROMMET | Kit | 1 | |
| 27 | 581 75 61-41 | FUEL HOSE | | 1 | |
| 28 | 544 32 49-14 | FUEL HOSE | | 1 | |
| 30 | 505 03 47-02 | FILTER | RXT, Incl. Pos. 31 | 1 | |
| 31 | 505 03 10-03 | FILTER | | 1 | 30 |
| 32 | 577 96 93-01 | SEALING PLUG | s/n from 20130600067 - | 1 | 15, 34 |
| 32 | 579 62 01-01 | SEALING PLUG | s/n up to - 20130600066 | 1 | |
| 33 | 586 15 40-01 | CARBURETTOR KIT | s/n up to - 20130600066 | 1 | 15, 34 |
| 34 | 580 48 26-01 | FILTER HOLDER | | 1 | |

F 555
CLUTCH

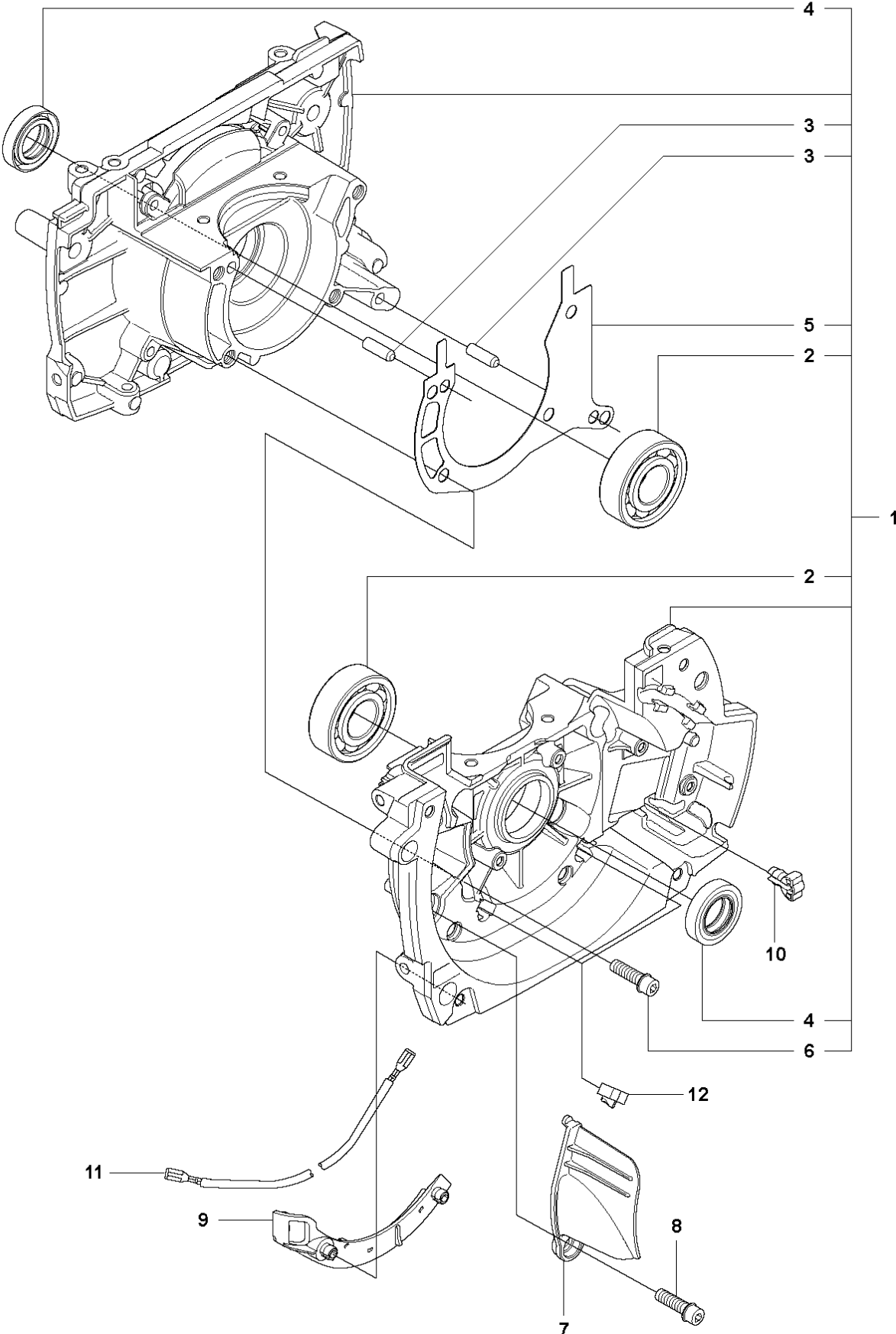


CLUTCH

555 FXT

| Ref | Part No | Description | Remark | QTY KIT | |
|-----|--------------|-------------------|------------------|---------|----|
| 1 | 502 49 35-06 | CLUTCH COVER ASSY | Incl. Pos. 2-6 | 1 | |
| 2 | 738 22 02-19 | BALL BEARING | | 1 | 1 |
| 3 | 735 31 33-10 | CIRCLIP | | 1 | 1 |
| 4 | 544 90 81-01 | WASHER | | 1 | 1 |
| 5 | 544 09 36-02 | SPRING PLATE | | 4 | 1 |
| 6 | 544 09 35-01 | SPACING SLEEVE | | 4 | 1 |
| 7 | 503 20 07-78 | SCREW IHSCFM | | 4 | |
| 8 | 544 29 48-01 | LOCKING PLATE | | 1 | |
| 9 | 725 53 72-65 | SCREW IHSCM | | 2 | |
| 10 | 579 16 40-02 | CLUTCH ASSY | Incl. Pos. 11-16 | 1 | |
| 11 | 537 40 37-01 | CLUTCH SHOE | | 1 | 10 |
| 12 | 578 76 94-01 | CLUTCH SPRING | Ø 1.8 mm | 3 | 10 |
| 13 | 537 40 36-01 | CLUTCH HUB | | 1 | 10 |
| 14 | 544 89 28-01 | WASHER | | 2 | 10 |
| 15 | 537 13 54-01 | BEARING BUSH | | 3 | 10 |
| 16 | 503 20 18-02 | SCREW EHHM | | 3 | 10 |
| 17 | 586 55 33-01 | CLUTCH DRUM ASSY | | 1 | |
| 18 | 735 31 17-00 | CIRCLIP | | 1 | |

P 555
CRANKCASE

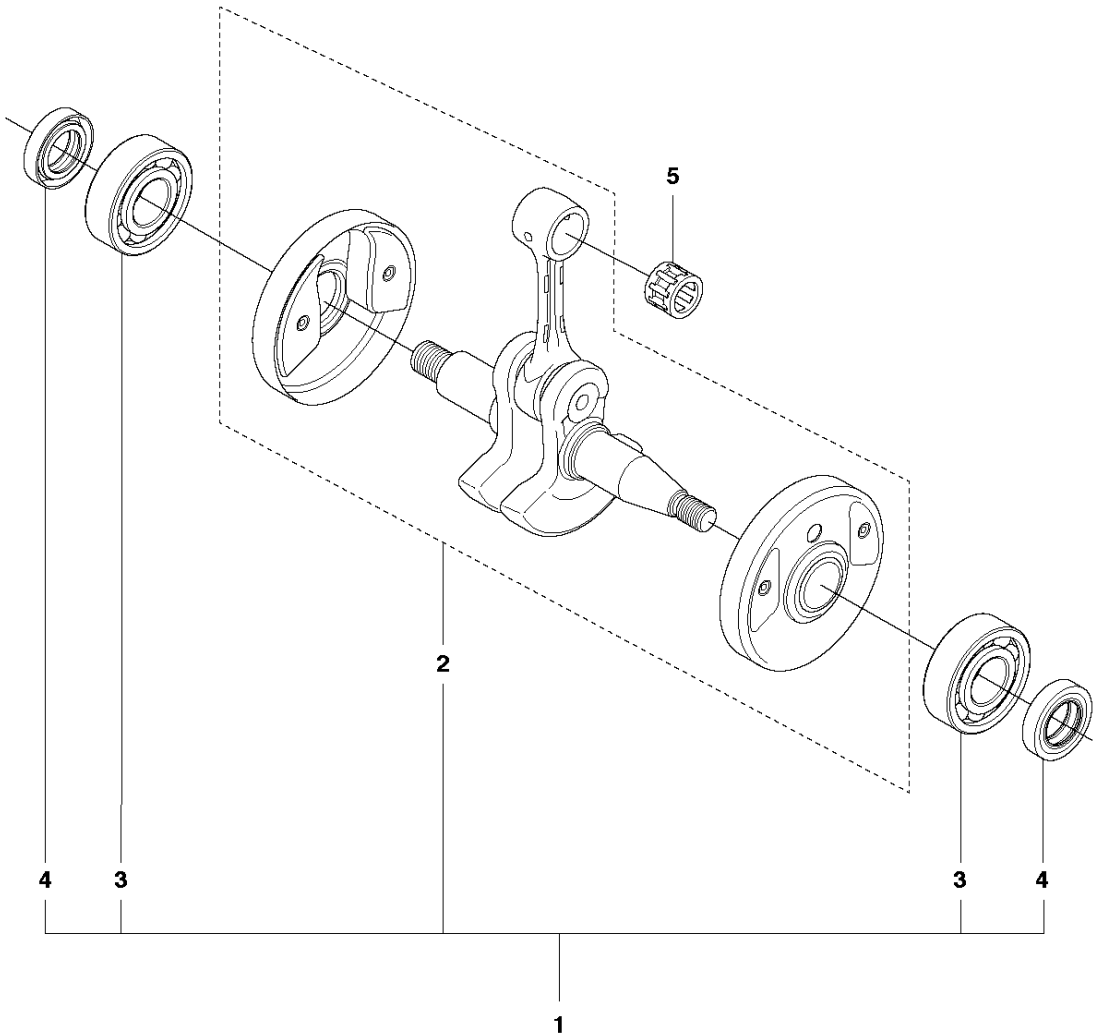


CRANKCASE

555 FXT

| Ref | Part No | Description | Remark | QTY | KIT |
|-----|--------------|---------------------|----------------|-----|-----|
| 1 | 544 95 25-01 | CRANKCASE | Incl. Pos. 2-6 | 1 | |
| 2 | 503 25 08-01 | BEARING | | 2 | 1 |
| 3 | 720 13 07-10 | PARALLEL PIN | | 2 | 1 |
| 4 | 503 26 02-04 | SEALING RING | | 2 | 1 |
| 5 | 537 34 67-01 | CRANKCASE | | 1 | 1 |
| 6 | 725 53 33-55 | SCREW IHSCM | | 5 | 1 |
| 7 | 544 09 45-01 | NOZZLE | | 1 | |
| 8 | 503 20 25-16 | SCREW IHSCM | | 1 | |
| 9 | 544 09 44-01 | CABLE HOLDER | | 1 | |
| 10 | 540 07 01-01 | RETAINER | | 1 | |
| 11 | 544 33 18-01 | SHORT CIRCUIT CABLE | | 1 | |
| 12 | 501 04 44-01 | RETAINER | | 2 | |

N 555
CRANK SHAFT

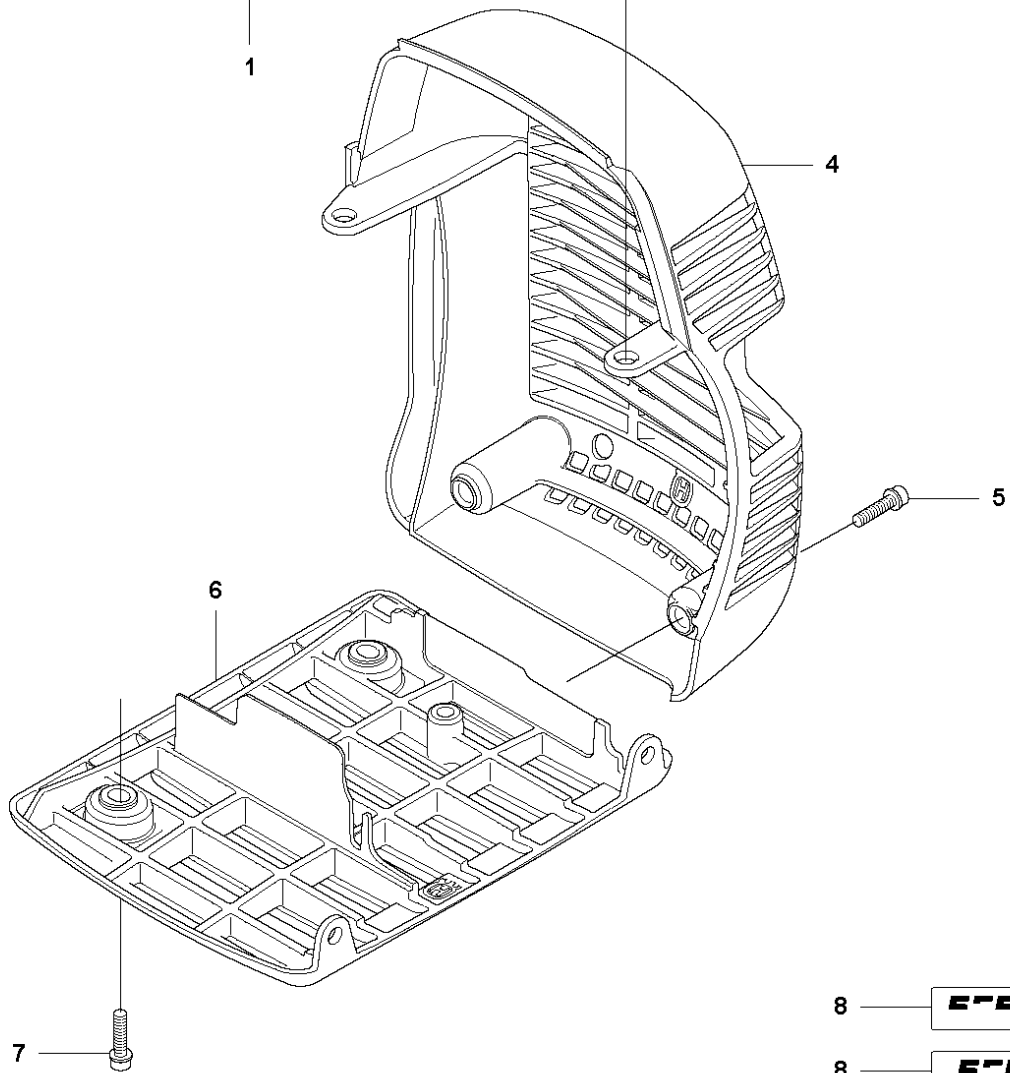
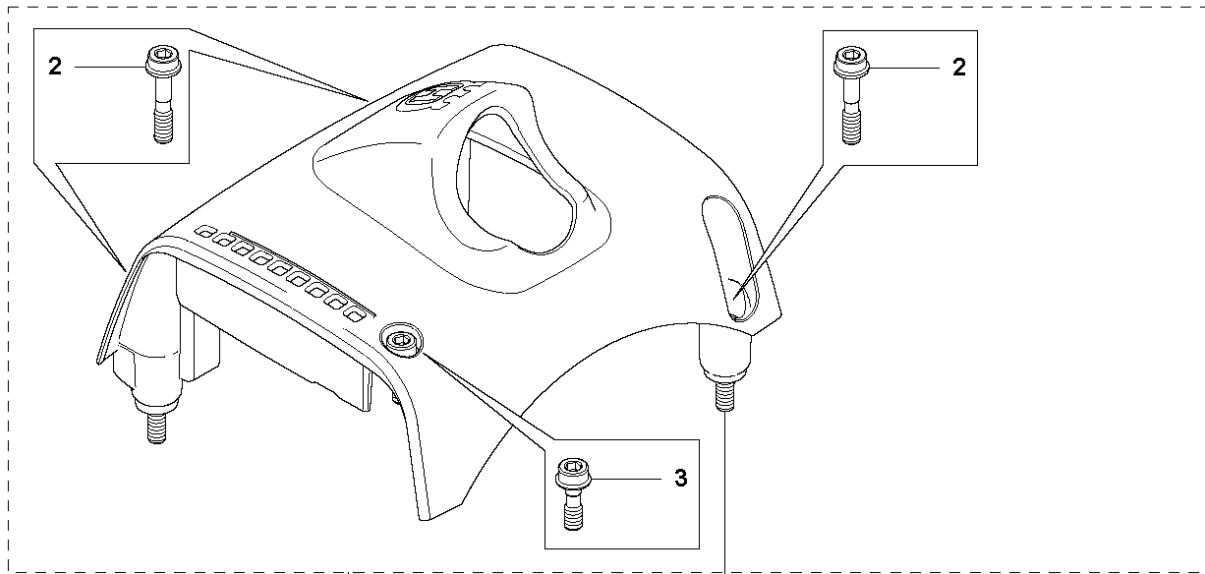


CRANKSHAFT

555 FXT

| Ref | Part No | Description | Remark | QTY | KIT |
|-----|--------------|----------------|--------|-----|-----|
| 1 | 544 95 26-02 | CRANKSHAFT | | 1 | |
| 2 | 537 29 38-04 | CRANKSHAFT | | 1 | |
| 3 | 738 22 02-25 | BALL BEARING | | 2 | 1 |
| 4 | 503 26 02-04 | SEALING RING | | 2 | 1 |
| 5 | 501 45 16-01 | NEEDLE BEARING | | 1 | |

G 555
CYLINDER COVER



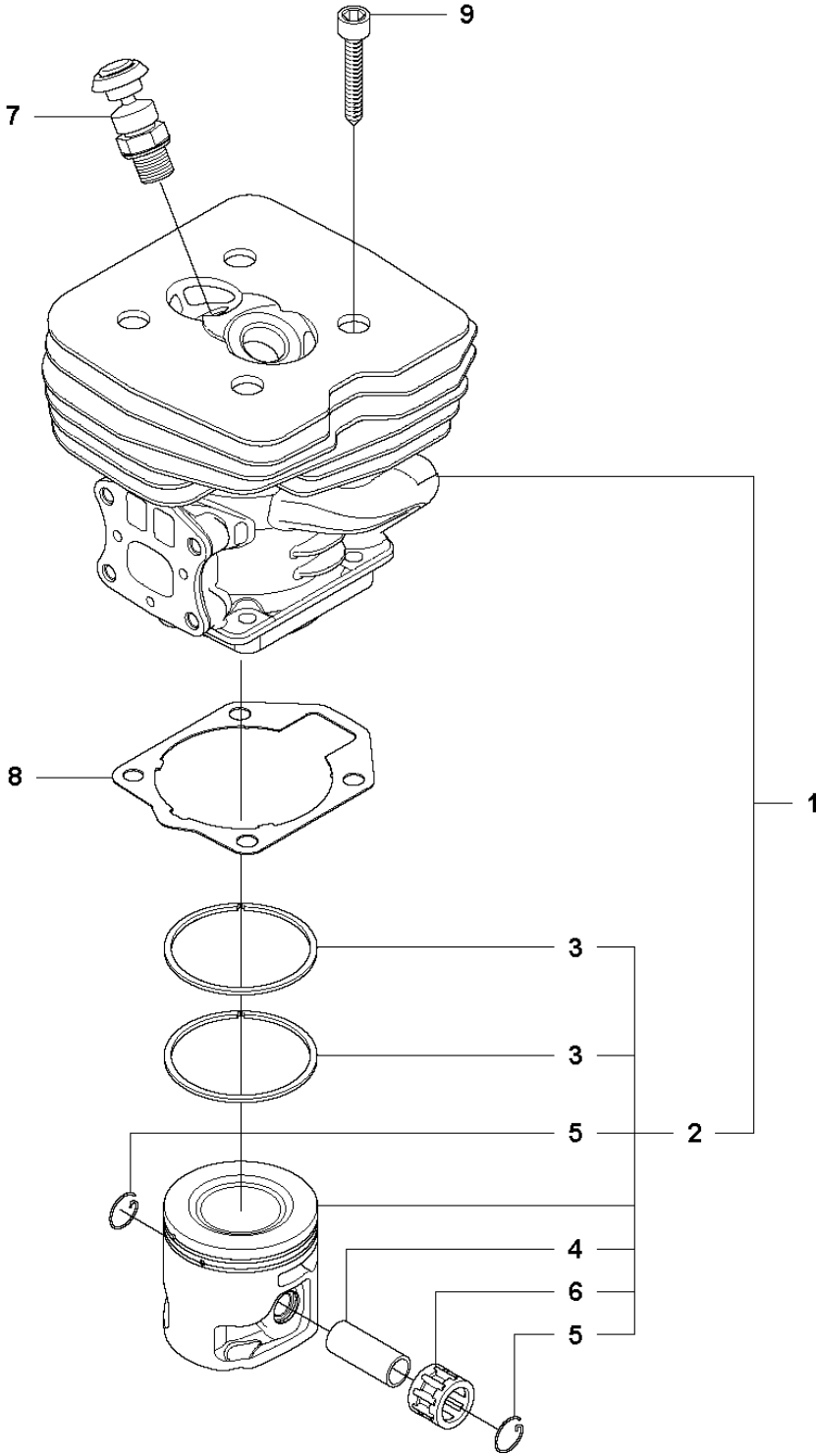
- 8 — **EEFT**
- 8 — **EEF**
- 8 — **EEFT**
- 8 — **EEF**

CYLINDER COVER

555 FXT

| Ref | Part No | Description | Remark | QTY KIT | |
|-----|--------------|---------------------|-------------------------------------|---------|---|
| 1 | 575 51 14-01 | CYLINDER COVER ASSY | Spare part incl. Screws Pos. 2-3 | 1 | |
| 2 | 573 99 43-04 | SCREW IHSCFMO | Captive Screw M5 | 3 | 1 |
| 3 | 573 99 43-01 | SCREW IHSCFMO | Captive Screw M5 | 1 | 1 |
| 4 | 544 08 43-01 | HEAT PROTECTOR | | 1 | |
| 5 | 503 20 07-76 | SCREW IHSCFM | | 2 | |
| 6 | 505 49 26-01 | PROTECTIVE COVER | | 1 | |
| 7 | 503 20 07-76 | SCREW IHSCFM | | 2 | |
| 8 | 576 99 86-06 | LABEL | FXT | 1 | |
| 8 | 576 99 86-07 | LABEL | FX | 1 | |
| 8 | 576 99 86-08 | LABEL | RXT | 1 | |
| 8 | 576 99 86-09 | LABEL | FRM | 1 | |

M 555
CYLINDER & PISTON

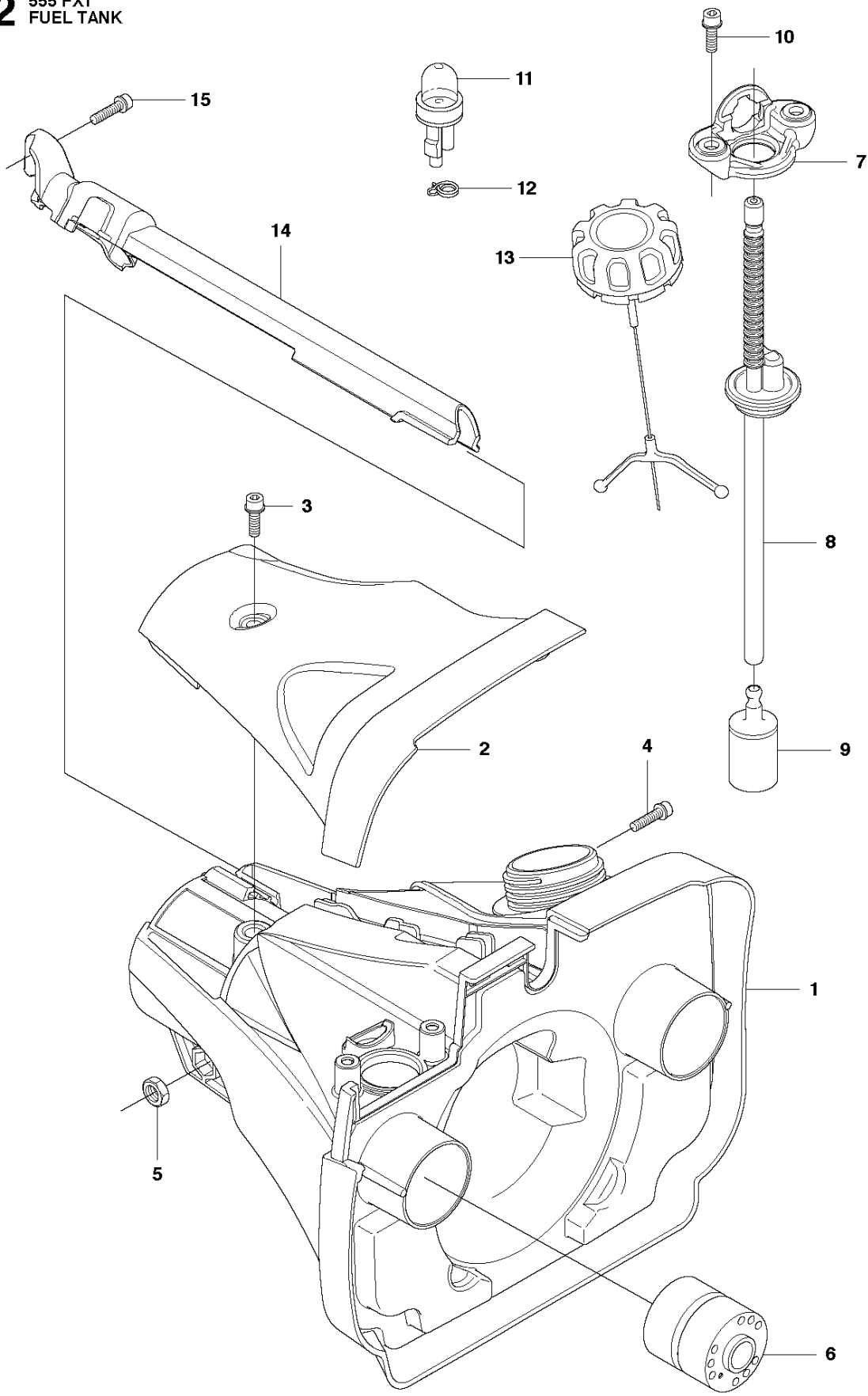


CYLINDER PISTON

555 FXT

| Ref | Part No | Description | Remark | QTY | KIT |
|-----|--------------|---------------------|----------------|-----|------|
| 1 | 544 98 60-02 | CYLINDER ASSY | Incl. Pos. 2-6 | 1 | |
| 2 | 576 95 48-01 | PISTON ASSY | Incl. Pos. 3-6 | 1 | 1 |
| 3 | 502 65 39-01 | PISTON RING | | 2 | 1, 2 |
| 4 | 505 49 57-01 | PISTON PIN | | 1 | 1, 2 |
| 5 | 505 49 58-01 | CIRCLIP | | 2 | 1, 2 |
| 6 | 501 45 16-01 | NEEDLE BEARING | | 1 | 1, 2 |
| 7 | 544 20 00-01 | DECOMPRESSION VALVE | | 1 | |
| 8 | 537 34 68-01 | GASKET | | 1 | |
| 9 | 725 53 33-55 | SCREW IHSCM | | 4 | |

E2 555 FXT
FUEL TANK



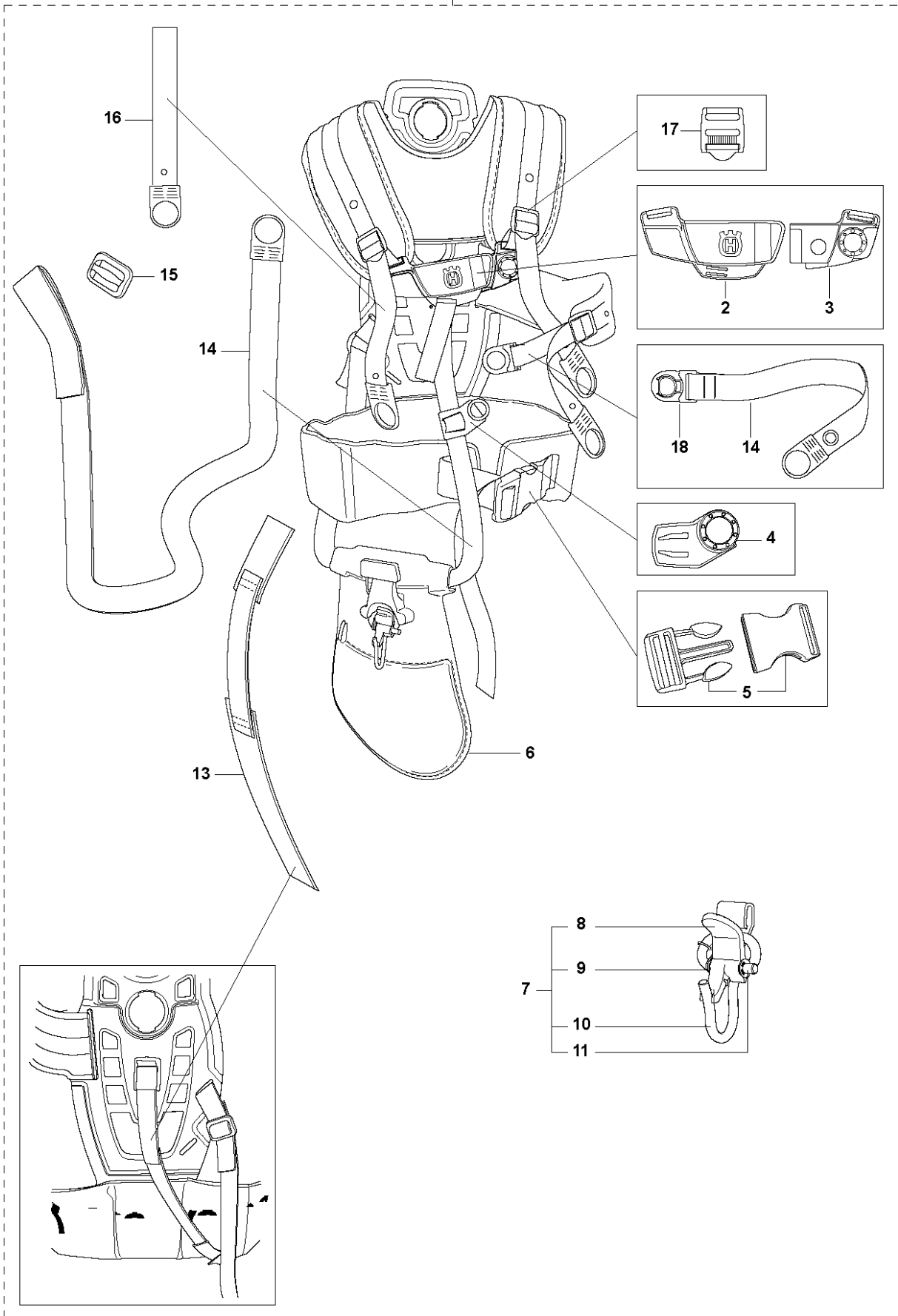
FUEL TANK

555 FXT

| Ref | Part No | Description | Remark | QTY KIT |
|-----|--------------|-----------------------|---------------------|---------|
| 1 | 537 35 88-01 | FUEL TANK | | 1 |
| 2 | 537 35 86-01 | COVER | | 1 |
| 3 | 503 20 07-72 | SCREW IHSCFM | | 1 |
| 4 | 503 20 07-76 | SCREW IHSCFM | | 1 |
| 5 | 503 22 10-12 | HEXAGON NUT | | 1 |
| 6 | 544 23 09-01 | ANTIVIBRATION ELEMENT | | 2 |
| 7 | 544 21 53-01 | BRACKET | | 1 |
| 8 | 544 21 54-01 | FUEL HOSE | | 1 |
| 9 | 503 44 32-01 | FUEL FILTER | | 1 |
| 10 | 503 20 07-76 | SCREW IHSCFM | | 2 |
| 11 | 503 93 66-01 | PURGE | | 1 |
| 12 | 544 34 86-01 | HOSE CLAMP | | 1 |
| 13 | 504 11 32-01 | TANK CAP | | 1 |
| 14 | 581 75 53-01 | WIRING PROTECTION | from s/n 2015240010 | 1 |
| 15 | 503 20 07-74 | SCREW IHSCFM | | 1 |

S BALANCE XT
HARNES

1

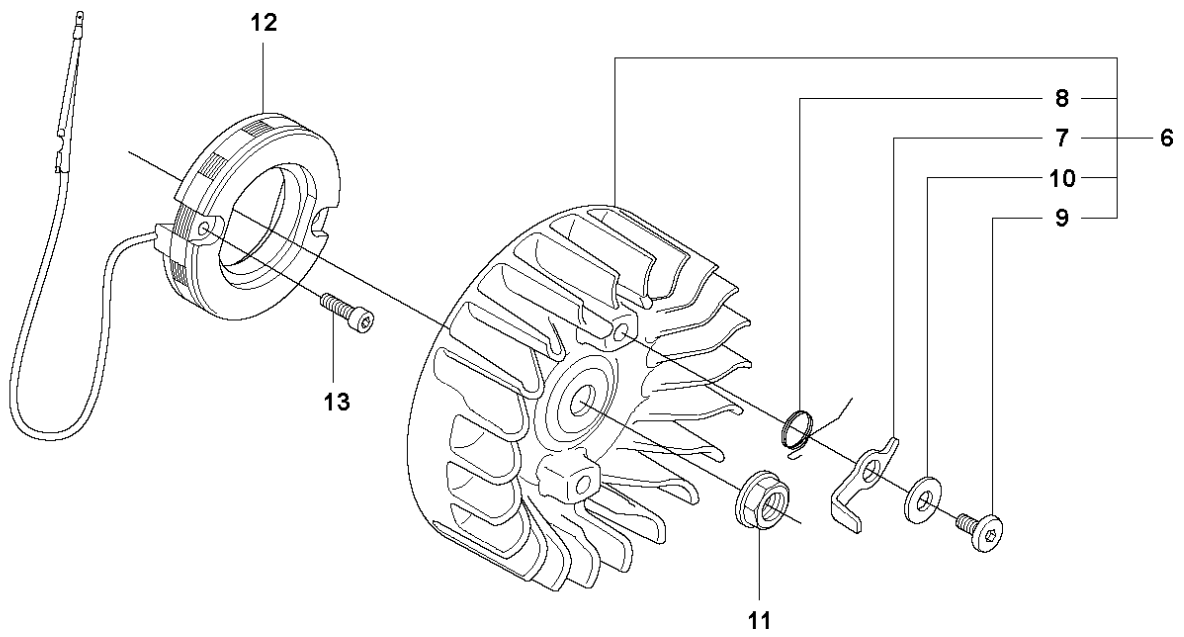
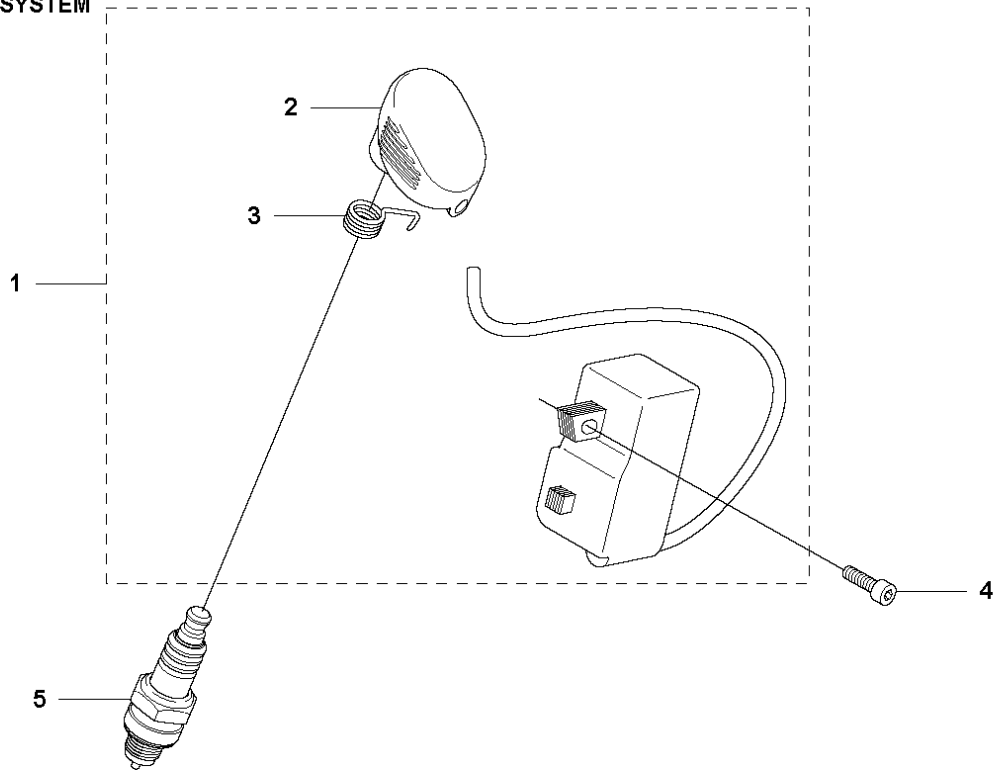


HARNESSES

555 FXT

| Ref | Part No | Description | Remark | QTY | KIT |
|-----|--------------|--------------|-----------------|-----|-----|
| 1 | 505 20 42-01 | HARNESSES | Incl. Pos. 2-18 | 1 | |
| 2 | 504 54 52-01 | BUCKLE | | 1 | 1 |
| 3 | 504 54 51-01 | BUCKLE | | 1 | 1 |
| 4 | 504 63 75-01 | SNAP LOCKING | | 1 | 1 |
| 5 | 537 33 15-01 | BUCKLE | | 1 | 1 |
| 6 | 544 90 17-03 | HIP PAD | | 1 | 1 |
| 7 | 544 96 07-02 | WELT HOOK | Incl. Pos. 8-11 | 1 | 1 |
| 8 | 502 02 30-02 | LOCK | | 1 | 1,7 |
| 9 | 586 34 10-01 | SPRING | | 1 | 1,7 |
| 10 | 502 02 29-02 | HOOK | | 1 | 1,7 |
| 11 | 735 31 09-20 | E-CLIP | | 1 | 1,7 |
| 13 | 537 15 35-04 | STRAP | | 1 | 1 |
| 14 | 503 99 61-07 | BAND | | 1 | 1 |
| 15 | 537 11 35-01 | RETAINER | | 1 | 1 |
| 16 | 503 99 61-07 | BAND | | 2 | 1 |
| 17 | 505 44 46-01 | BUCKLE | | 3 | 1 |
| 18 | 504 63 74-01 | SNAP LOCKING | | 1 | 1 |

L 555
IGNITION SYSTEM

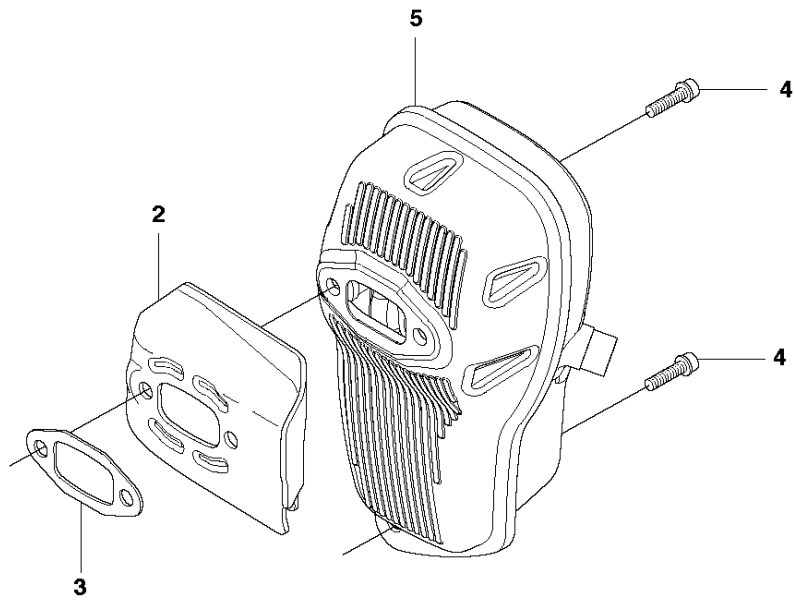
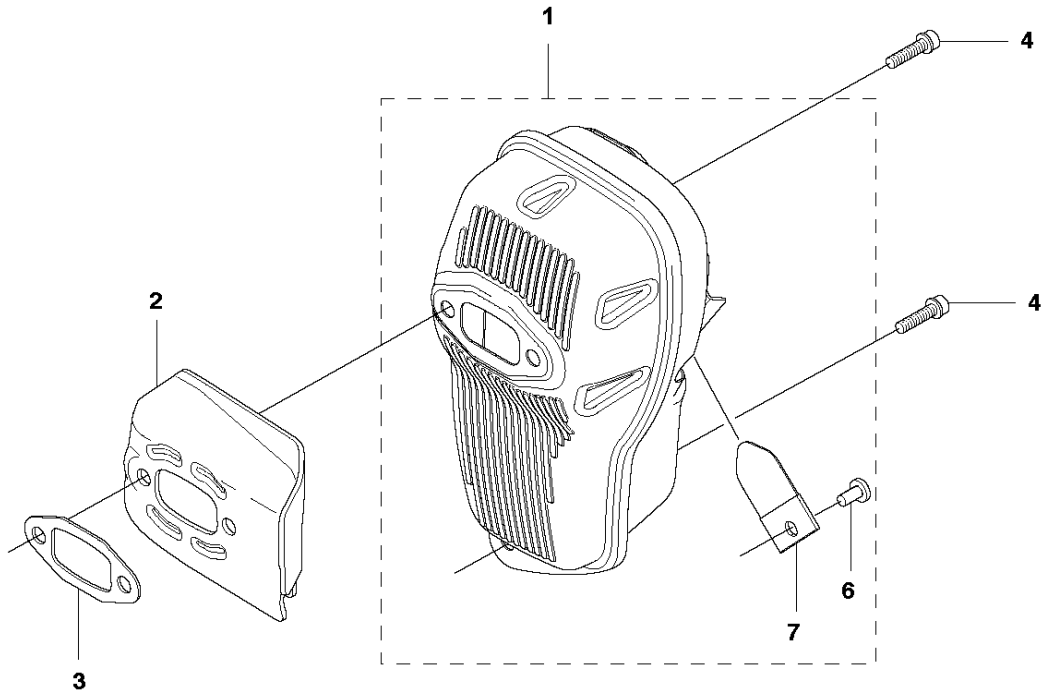


IGNITION SYSTEM

555 FXT

| Ref | Part No | Description | Remark | QTY | KIT |
|-----|--------------|------------------|------------------------------|-----|-----|
| 1 | 504 70 87-01 | IGNITION MODULE | Pos. 2-3 | 1 | |
| 2 | 537 41 22-01 | SPARK PLUG CAP | | 1 | 1 |
| 3 | 501 48 56-01 | CONTACT SPRING | | 1 | 1 |
| 4 | 503 20 25-16 | SCREW IHSCM | | 2 | |
| 5 | 503 23 51-11 | SPARK PLUG | NGK BPMR7A | 1 | |
| 6 | 537 24 05-01 | FLYWHEEL ASSY | RXT, FX, FRM Incl. Pos. 7-10 | 1 | |
| 6 | 537 24 05-02 | FLYWHEEL ASSY | FXT Incl. Pos. 7-10 | 1 | |
| 7 | 503 81 24-01 | STARTER PAWL | | 2 | 6 |
| 8 | 503 81 29-01 | SPRING | | 2 | 6 |
| 9 | 501 81 99-03 | SCREW | | 2 | 6 |
| 10 | 503 23 00-42 | WASHER | | 2 | 6 |
| 11 | 503 22 04-01 | NUT | | 1 | |
| 12 | 537 25 63-02 | GENERATOR STATOR | FXT | 1 | |
| 13 | 544 44 43-01 | SCREW IH SCT | FXT | 2 | |

H 555
MUFFLER

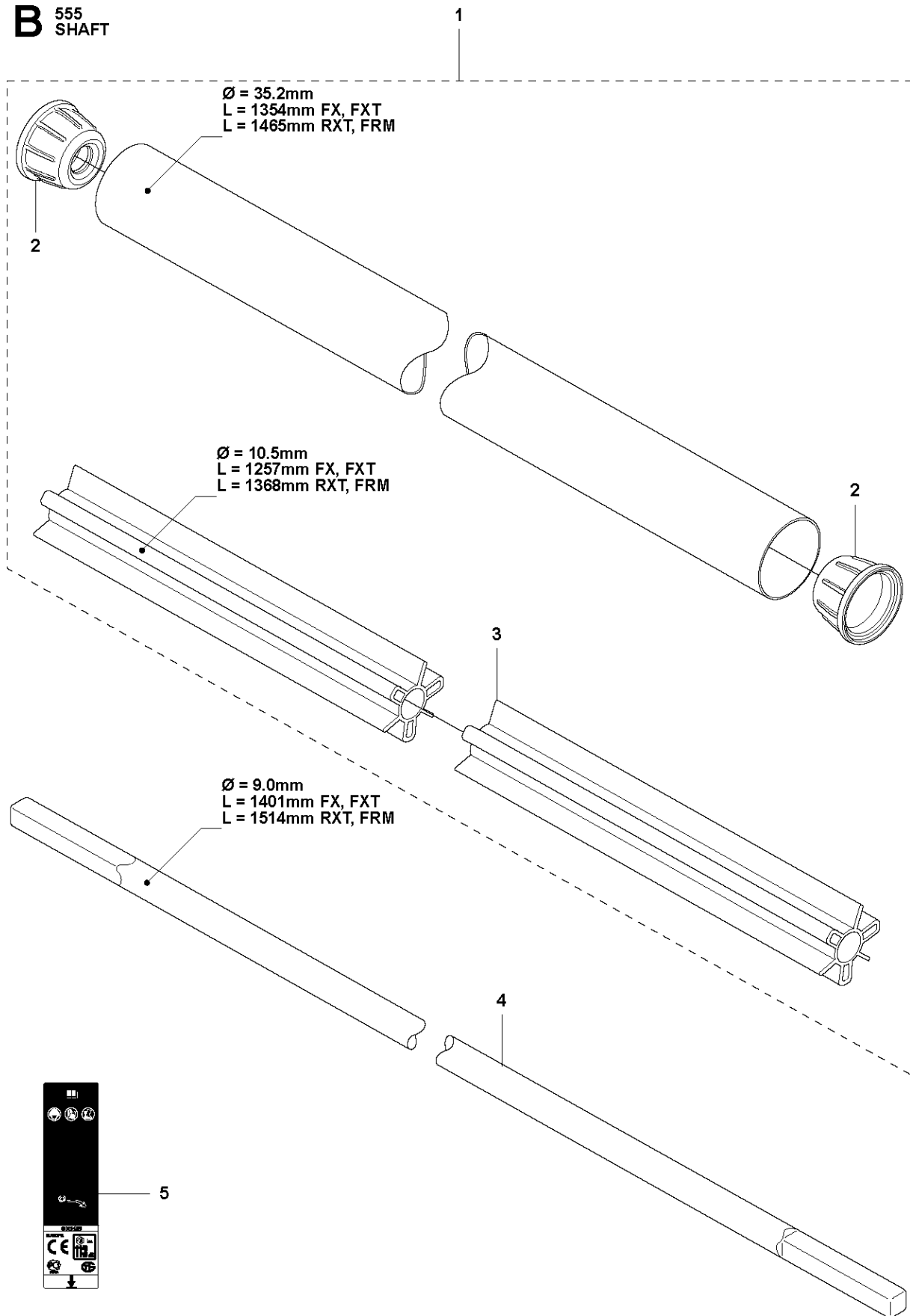


MUFFLER

555 FXT

| Ref | Part No | Description | Remark | QTY | KIT |
|-----|--------------|----------------------|--------|-----|-----|
| 1 | 537 36 03-01 | MUFFLER ASSY | Mesh | 1 | |
| 2 | 537 34 57-01 | PLATE | | 1 | |
| 3 | 503 82 11-01 | GASKET | | 1 | |
| 4 | 503 20 02-20 | SCREW IHSCFM | | 3 | |
| 5 | 504 03 79-01 | MUFFLER | Pipe | 1 | |
| 6 | 724 12 87-59 | SCREW CRPANM | | 1 | 1 |
| 7 | 537 35 46-01 | SPARK ARRESTOR SCREE | | 1 | 1 |

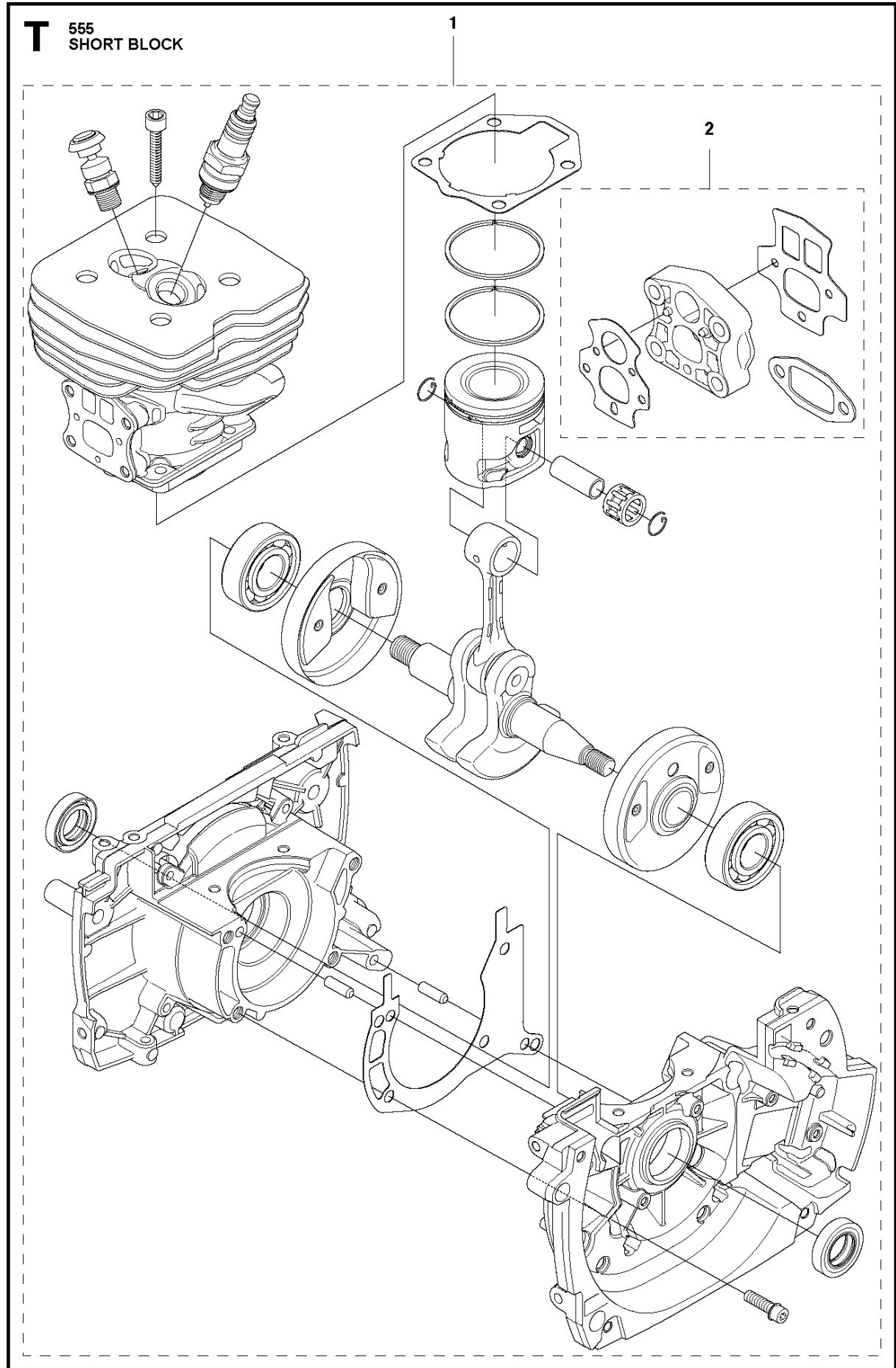
B 555
SHAFT



SHAFT

555 FXT

| Ref | Part No | Description | Remark | QTY KIT | |
|-----|--------------|---------------|----------------------------|---------|---|
| 1 | 502 25 94-01 | TUBE | Incl. Pos. 2-3, Reinforced | 1 | |
| 2 | 544 32 05-01 | SPACER | | 2 | 1 |
| 3 | 505 13 13-01 | BEARING SHAFT | L=1257mm, Ø=10.5mm | 1 | 1 |
| 4 | 544 15 67-01 | DRIVE SHAFT | L=1401mm, Ø=9.0mm | 1 | |
| 5 | 589 29 51-01 | LABEL | | 1 | |



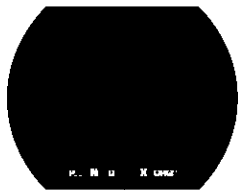
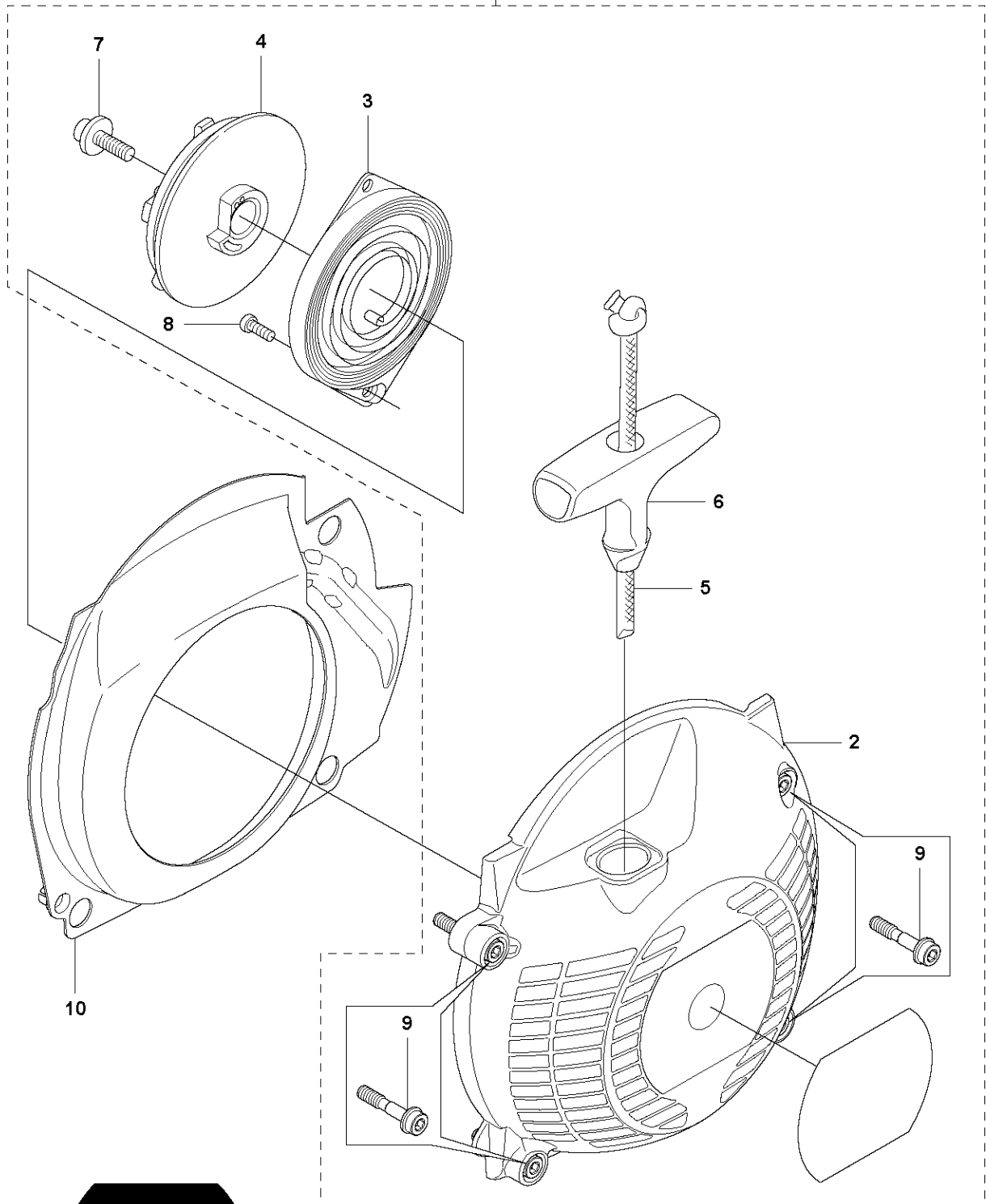
SHORT BLOCK

555 FXT

| Ref | Part No | Description | Remark | QTY | KIT |
|-----|--------------|-------------|-----------|-----|-----|
| 1 | 576 79 88-01 | SHORT BLOCK | Assembled | 1 | |
| 2 | 576 79 87-01 | GASKET KIT | | 1 | 1 |

K 555
STARTER

1

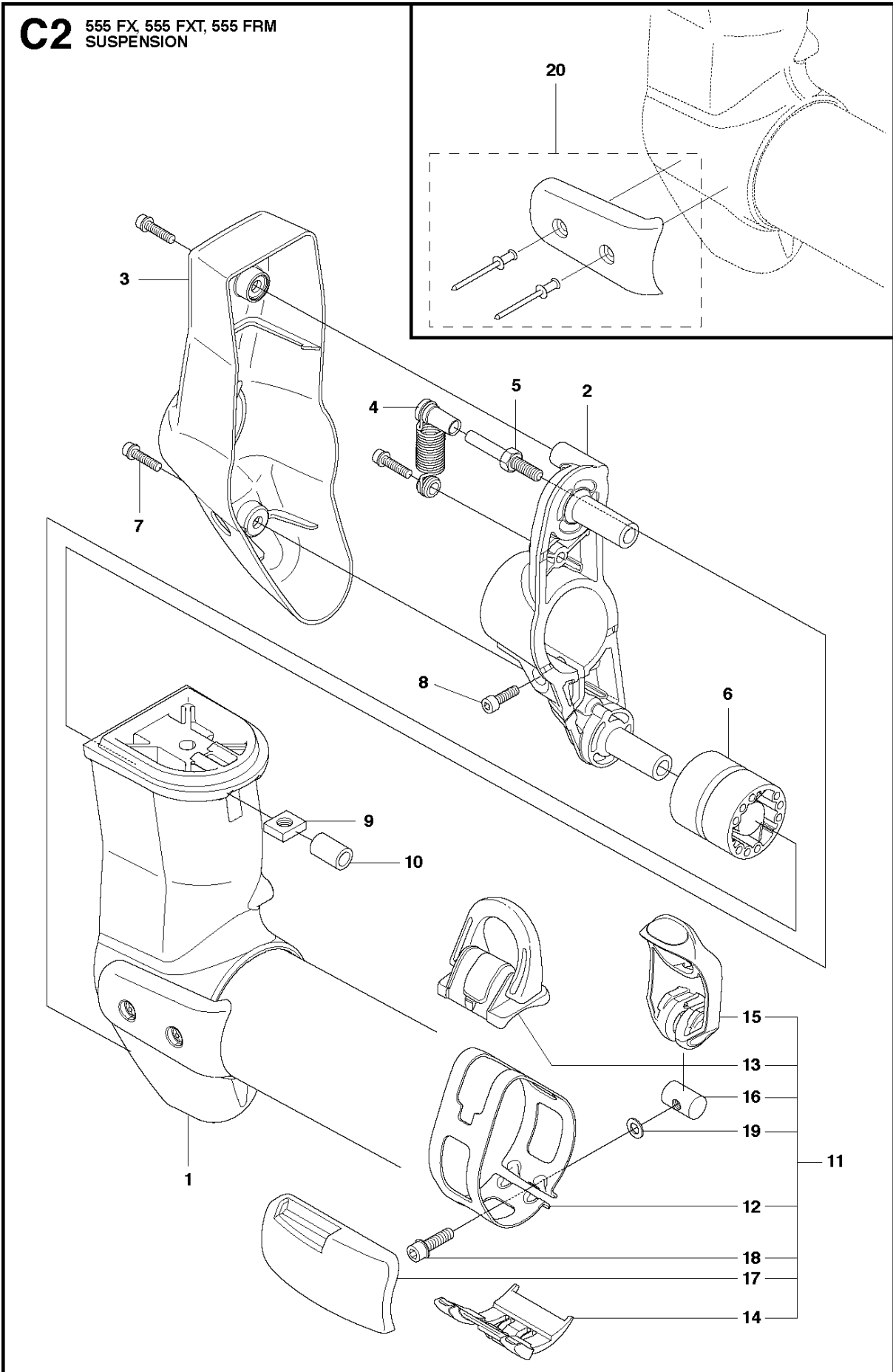


11

STARTER

555 FXT

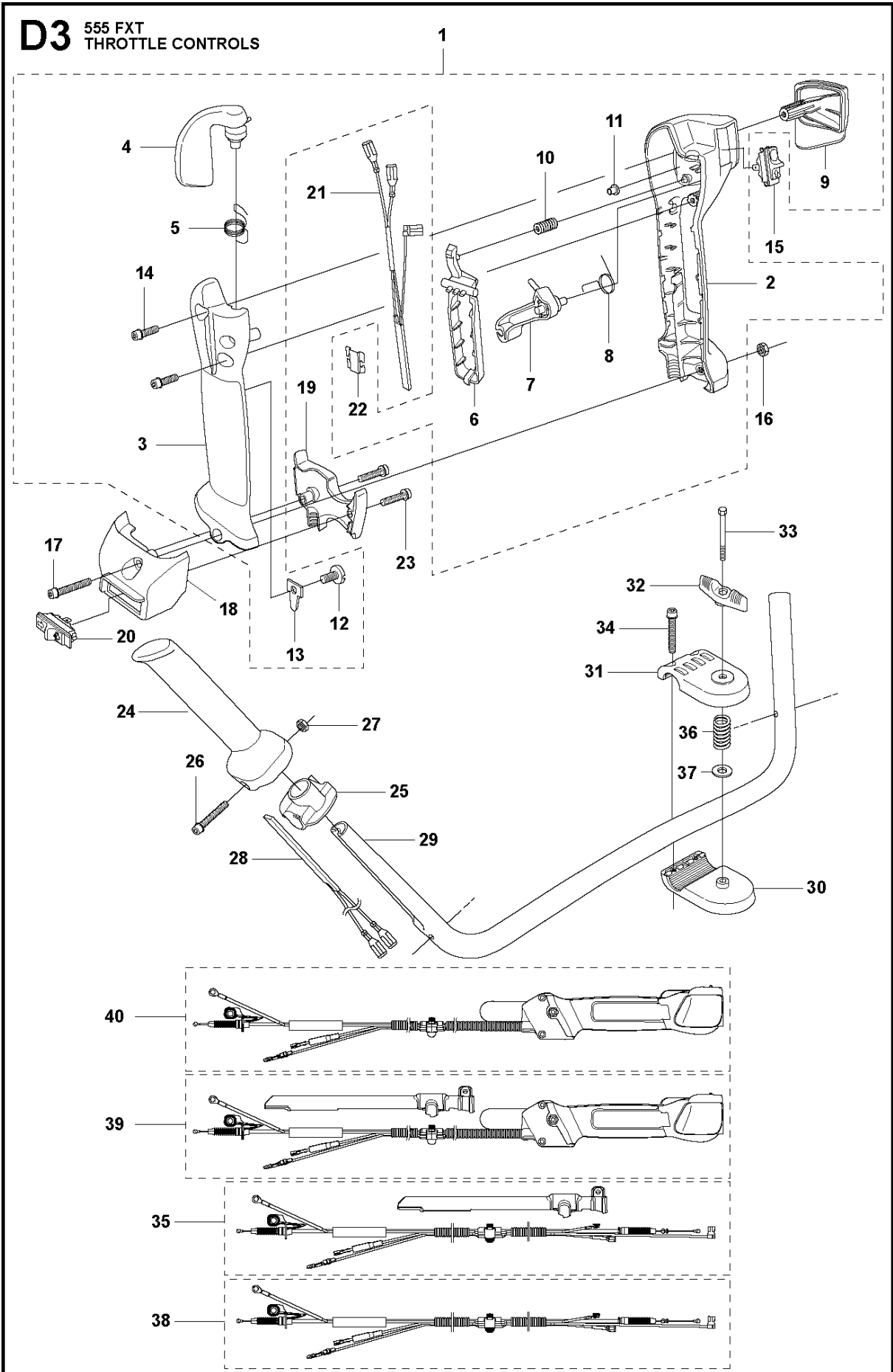
| Ref | Part No | Description | Remark | QTY KIT | |
|-----|--------------|----------------------|-----------------------------------|---------|------|
| 1 | 575 51 17-01 | STARTER ASSY | Incl. Pos. 2-9 | 1 | |
| 2 | 575 51 26-01 | STARTER HOUSING | Spare part incl. Screws Pos. 9 | 1 | 1 |
| 3 | 502 20 06-01 | SPRING CASSETTE ASSY | | 1 | 1 |
| 4 | 503 95 73-01 | STARTER PULLEY | | 1 | 1 |
| 5 | 505 30 51-25 | STARTER CORD | | 1 | 1 |
| 6 | 537 23 25-01 | STARTER HANDLE | | 1 | 1 |
| 7 | 503 21 69-16 | SCREW IH SCT | | 1 | 1 |
| 8 | 503 21 29-06 | SCREW CCRPANT | | 2 | 1 |
| 9 | 573 99 43-04 | SCREW IHSCFMO | Captive Screw M5 | 4 | 1, 2 |
| 10 | 537 34 56-01 | AIR CONDUCTOR | | 1 | |
| 11 | 576 46 81-01 | LABEL | | 1 | |



SUSPENSION

555 FXT

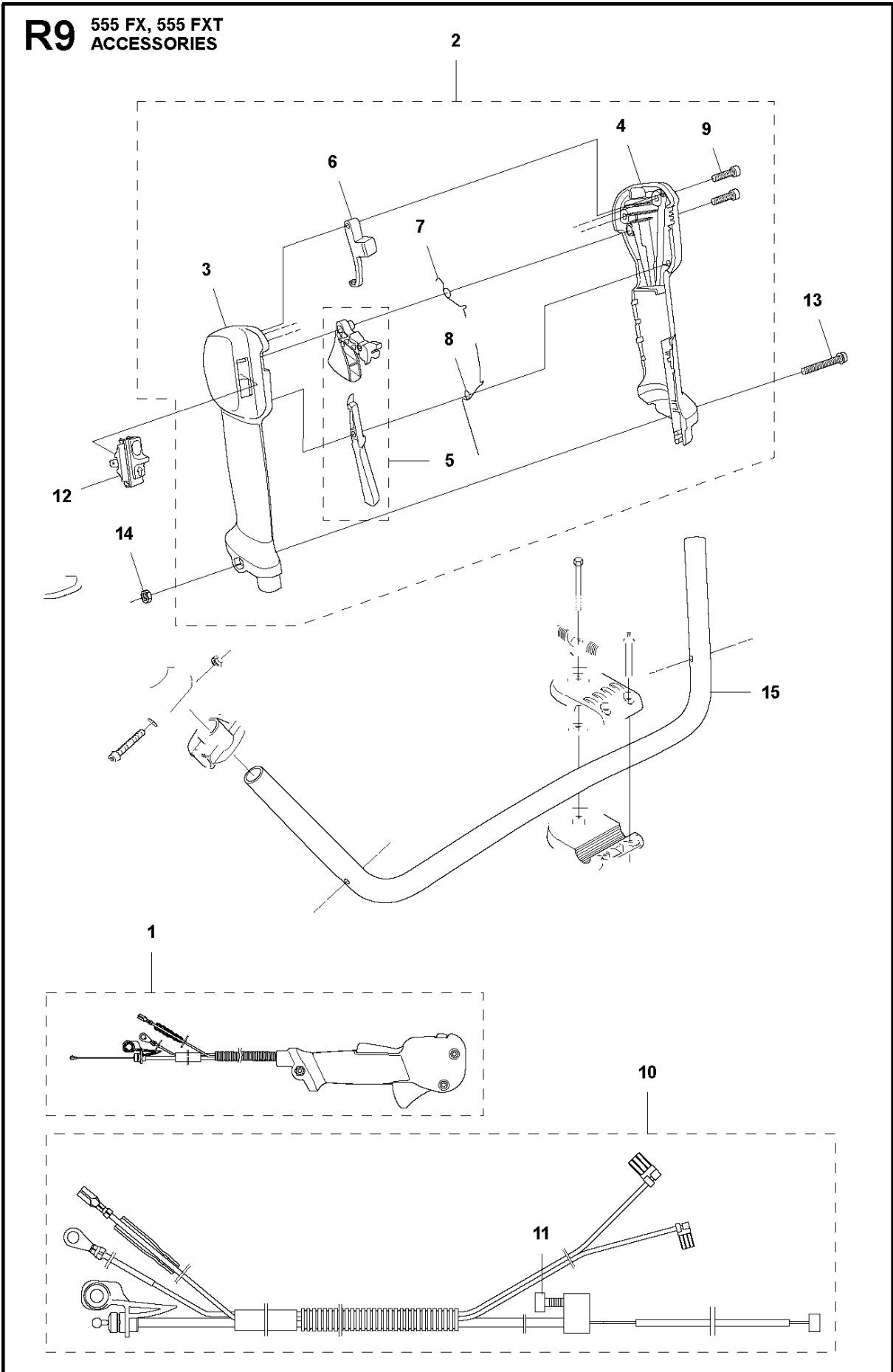
| Ref | Part No | Description | Remark | QTY | KIT |
|-----|--------------|-----------------------|------------------|-----|-----|
| 1 | 581 97 88-01 | SUSPENSION | FX, FXT | 1 | |
| 1 | 581 97 88-03 | SUSPENSION | FRM | 1 | |
| 2 | 544 37 83-01 | RETAINER | | 1 | |
| 3 | 544 37 85-01 | COVER | | 1 | |
| 4 | 506 06 88-01 | SPRING | | 1 | |
| 5 | 544 36 77-01 | PARALLEL PIN | | 1 | |
| 6 | 544 23 09-01 | ANTIVIBRATION ELEMENT | | 2 | |
| 7 | 503 20 07-74 | SCREW IHSCFM | | 3 | |
| 8 | 725 53 72-65 | SCREW IHSCM | | 1 | |
| 9 | 502 19 71-01 | SQUARE NUT | | 1 | |
| 10 | 503 85 73-02 | COVER | | 1 | |
| 11 | 504 02 38-01 | LOOP | Incl. Pos. 12-19 | 1 | |
| 12 | 537 39 57-01 | BAND | | 1 | 11 |
| 13 | 537 20 18-03 | LOOP | | 1 | 11 |
| 14 | 537 42 74-01 | GUIDE RAIL | | 1 | 11 |
| 15 | 537 42 70-01 | LEVER | | 1 | 11 |
| 16 | 537 42 73-01 | NUT | | 1 | 11 |
| 17 | 544 25 07-01 | WEAR PROTECTION | | 1 | 11 |
| 18 | 503 20 07-25 | SCREW IHSCFM | | 1 | 11 |
| 19 | 503 23 00-11 | WASHER | | 1 | 11 |
| 20 | 586 20 27-03 | WEAR PROTECTION | | 1 | |



THROTTLE CONTROLS

555 FXT

| Ref | Part No | Description | Remark | QTY | KIT |
|-----|--------------|----------------------|------------------------|-----|-----|
| 1 | 537 19 72-15 | THROTTLE HANDLE | Incl. Pos. 2-14 | 1 | |
| 2 | 537 15 52-01 | HANDLE HALF | | 1 | 1 |
| 3 | 537 15 53-01 | HANDLE HALF | | 1 | 1 |
| 4 | 537 26 34-01 | THROTTLE TRIGGER | | 1 | 1 |
| 5 | 537 28 37-01 | SPRING THROTTLE TRIG | | 1 | 1 |
| 6 | 537 15 56-01 | THROTTLE LOCKOUT | | 1 | 1 |
| 7 | 537 26 35-01 | THROTTLE LEVER | | 1 | 1 |
| 8 | 537 34 27-01 | SPRING | | 1 | 1 |
| 9 | 537 18 24-01 | COVER | | 1 | 1 |
| 10 | 537 19 97-01 | SPRING | | 1 | 1 |
| 11 | 537 30 72-01 | SLEEVE | | 1 | 1 |
| 12 | 503 21 70-10 | SCREW CCRPANT | | 1 | 1 |
| 13 | 537 25 11-01 | SECURING PLATE | | 1 | 1 |
| 14 | 503 21 75-20 | SCREW IHSCFT | | 2 | 1 |
| 15 | 537 41 90-01 | SWITCH | | 1 | |
| 16 | 731 23 14-05 | HEXAGON NUT | | 1 | |
| 17 | 503 20 02-45 | SCREW IHSCFM | FXT | 1 | |
| 18 | 537 20 15-01 | RETAINER | FXT | 1 | |
| 19 | 537 20 16-01 | RETAINER | FXT | 1 | |
| 20 | 503 71 82-02 | SWITCH | FXT | 1 | |
| 21 | 537 22 71-01 | ELEMENT | FXT | 1 | |
| 22 | 537 26 51-01 | SECURING PLATE | | 2 | 1 |
| 23 | 503 21 66-74 | SCREW IHSCFT | FXT | 2 | |
| 24 | 537 17 28-05 | HANDLE | | 1 | |
| 25 | 537 17 29-02 | BRACKET | | 1 | |
| 26 | 503 20 02-45 | SCREW IHSCFM | | 1 | |
| 27 | 731 23 14-05 | HEXAGON NUT | | 1 | |
| 28 | 537 22 72-01 | ELEMENT | FXT | 1 | |
| 29 | 503 95 86-02 | HANDLEBAR | | 1 | |
| 30 | 537 12 91-01 | HANDLEBAR BRACKET | | 1 | |
| 31 | 537 12 90-01 | HANDLEBAR BRACKET | | 1 | |
| 32 | 502 20 38-01 | KNOB | | 1 | |
| 33 | 725 23 83-81 | SCREW EHHM | | 1 | |
| 34 | 503 20 02-25 | SCREW IHSCFM | | 2 | |
| 35 | 588 78 62-01 | WIRING ASSY | | 1 | |
| 36 | 537 04 83-01 | CLUTCH SPRING | | 1 | |
| 37 | 502 28 21-01 | WASHER | | 1 | |
| 38 | 581 53 63-02 | WIRING ASSY | from s/n 20152400010 - | 1 | |
| 39 | 590 84 00-01 | THROTTLE HANDLE ASSY | | 1 | |
| 40 | 537 19 72-15 | THROTTLE HANDLE | | 1 | |



THROTTLE CONTROLS, CANADA

555 FXT

| Ref | Part No | Description | Remark | QTY | KIT |
|-----|--------------|----------------------|--------------------------------|-----|-------|
| 1 | 502 23 23-03 | THROTTLE HANDLE ASSY | Index finger-operated throttle | 1 | |
| 2 | 504 20 98-04 | THROTTLE HANDLE ASSY | Index finger-operated throttle | 1 | 1 |
| 3 | 537 18 07-11 | HANDLE HALF | | 1 | 1, 2 |
| 4 | 537 18 08-11 | HANDLE HALF | | 1 | 1, 2 |
| 5 | 506 49 77-01 | THROTTLE CONTROL | | 1 | 1, 2 |
| 6 | 537 16 07-01 | STARTER THROTTLE LOC | | 1 | 1, 2 |
| 7 | 537 17 42-01 | SPRING THROTTLE TRIG | | 1 | 1, 2 |
| 8 | 537 17 43-01 | SPRING | | 1 | 1, 2 |
| 9 | 503 21 66-74 | SCREW IH SCT | | 2 | 1, 2 |
| 10 | 544 20 31-02 | WIRING | Canada only | 1 | 1, 10 |
| 11 | 503 21 66-16 | SCREW IH SCT | | 1 | |
| 12 | 537 41 90-01 | SWITCH | | 1 | |
| 13 | 503 20 07-82 | SCREW IH SCFM | | 1 | |
| 14 | 503 22 10-13 | HEXAGON NUT | | 1 | |
| 15 | 505 43 33-03 | HANDLEBAR | | 1 | |

Illustrated Parts List - IPL Update



Product Name(s)

555FXT

Description of change

1. New spare parts - Throttle handle assy and Throttle handle assy kit.
2. Change of material in Tube. New material has a higher tensile strength.
3. Removal of Hose clamp from the return fuel hose on carburetor because of assembly issues.
4. Change of screw for the retainer in Throttle handle assy with heat system.

Comments

Backward compatible

Introduced from

| Serial number / Date | Remark |
|----------------------|--|
| 2017-06 | Throttle handle assy, Throttle handle assy kit |
| 2016-04 | Tube |
| 2016-03 | Hose clamp |
| 2017-05 | Screw |

IPL updates

| Page title | Ref. no | New part no | Name | Excl. part no. | Remark |
|-------------------------|---------|--------------|---------------------------|----------------|-----------------------|
| Throttle controls | 39 | 590 84 00-01 | Throttle handle assy, kit | | New spare part |
| Throttle controls | 40 | 537 19 72-15 | Throttle handle assy | | New spare part |
| Shaft | 1 | 502 25 94-01 | Tube assy | 510 02 78-07 | |
| Carburetor & Air filter | 29 | | Hose clamp | 544 34 86-01 | Removed |
| Throttle controls | 23 | 503 21 66-74 | Screw IHSCT | 503 21 71-20 | |